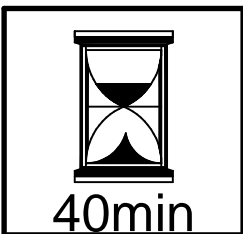
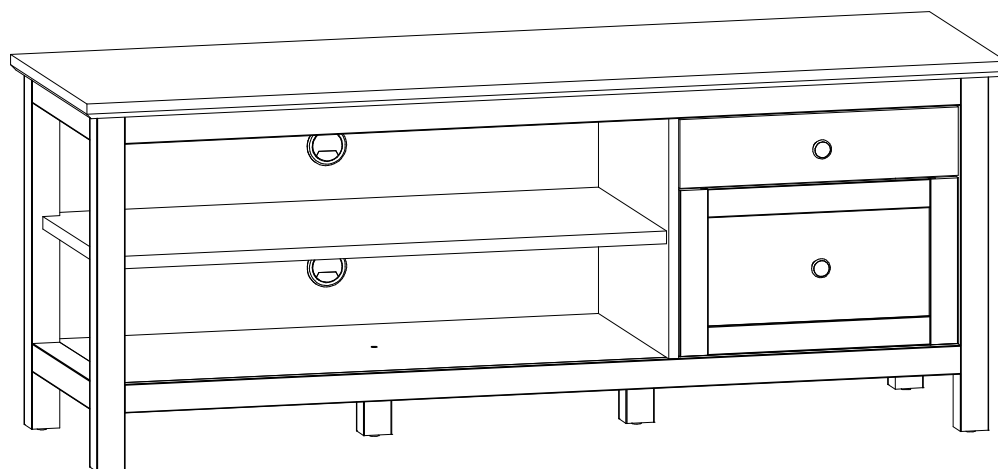
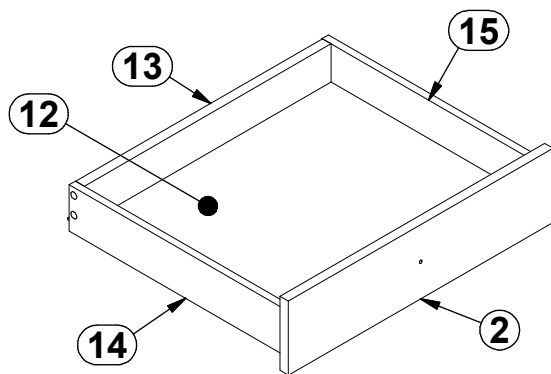
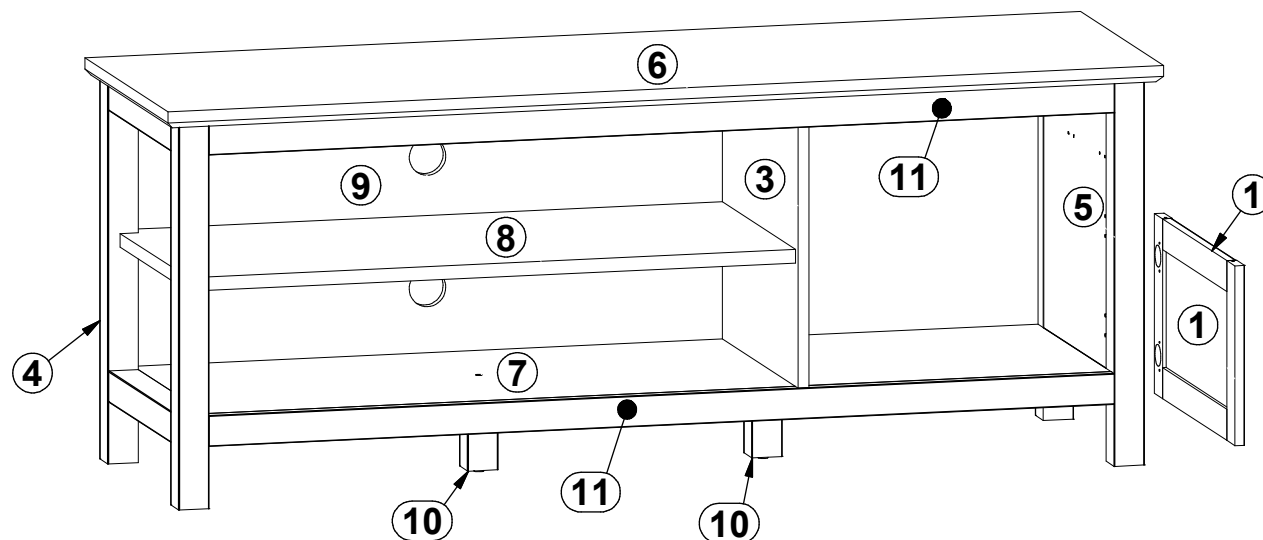
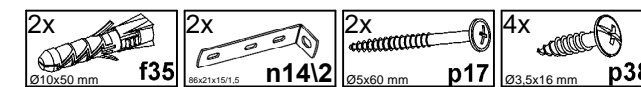
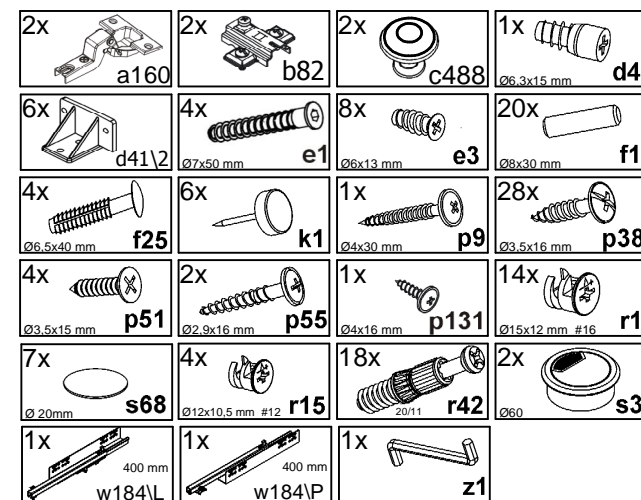


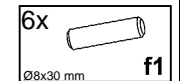
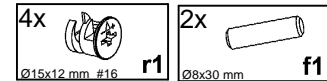
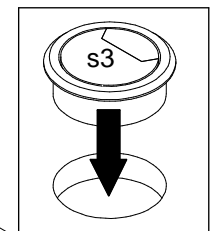
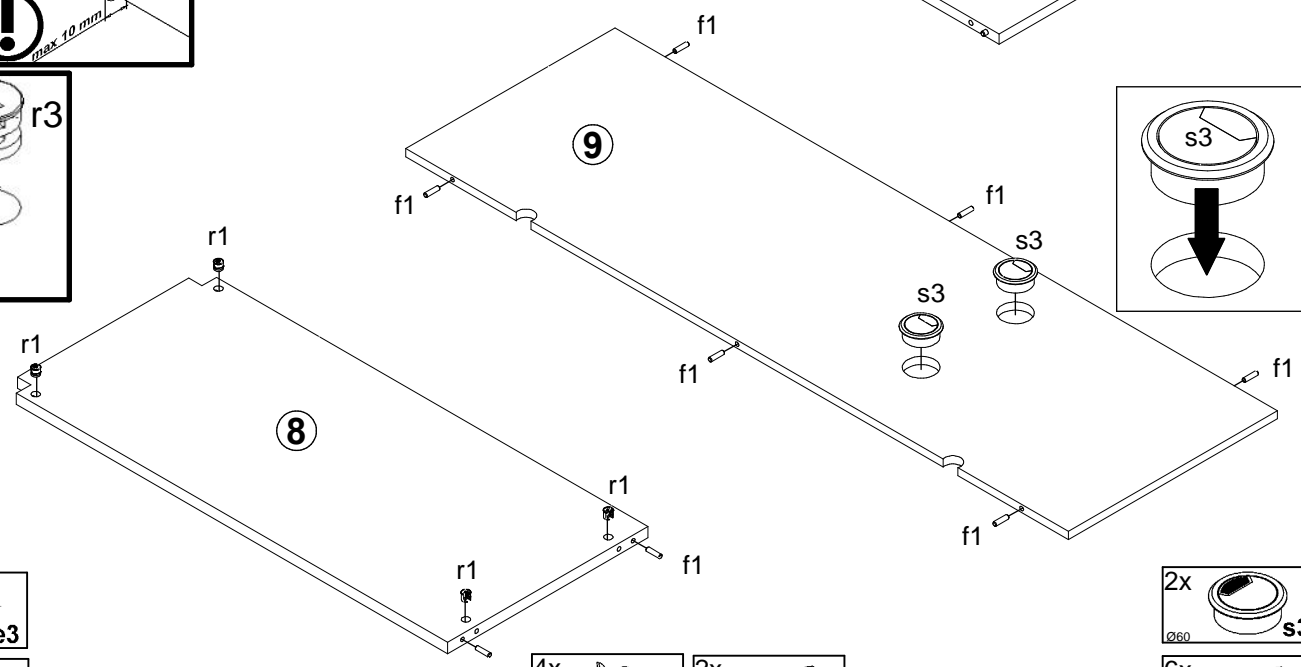
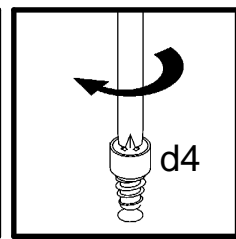
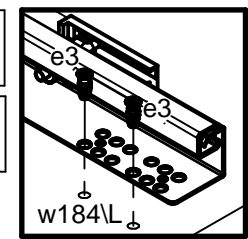
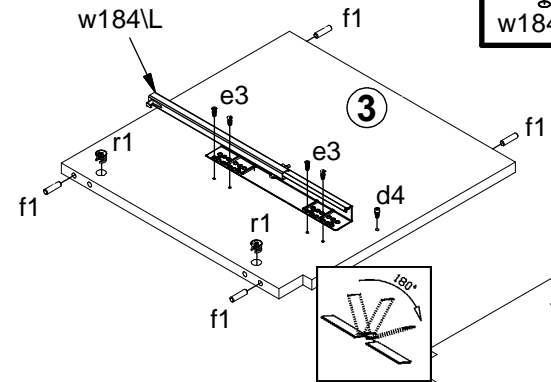
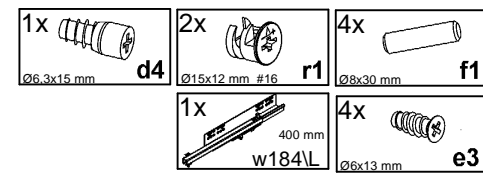
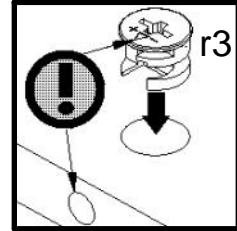
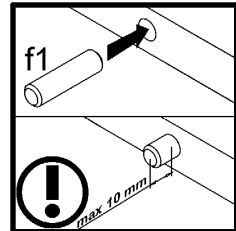
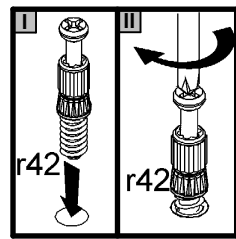
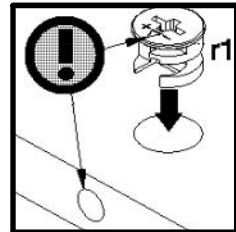
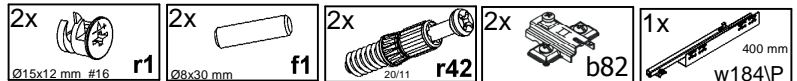
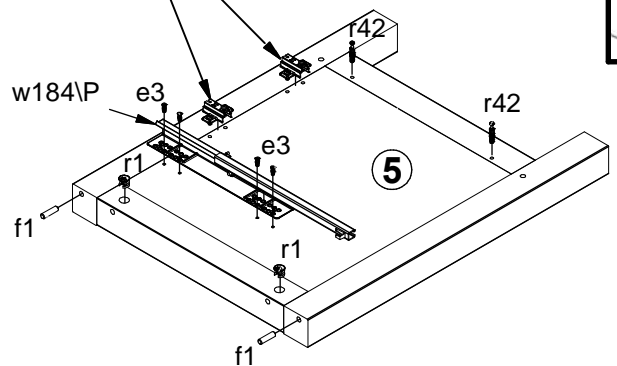
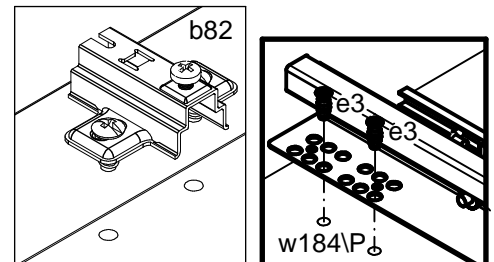
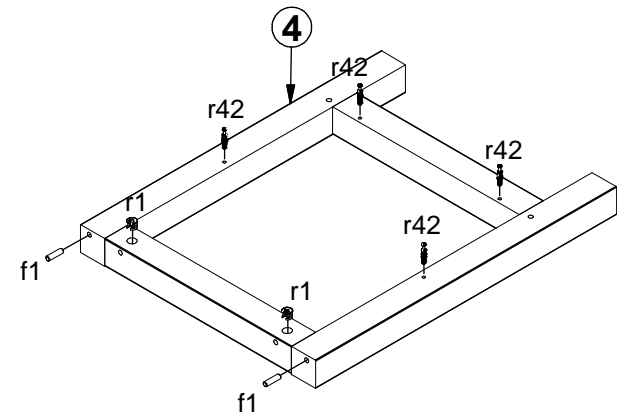
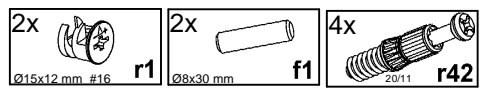
Zandiarra





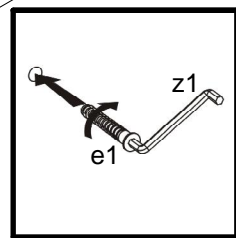
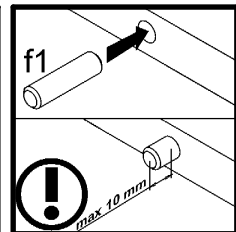
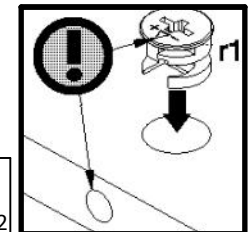
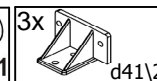
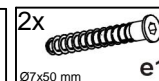
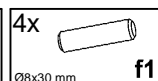
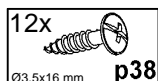
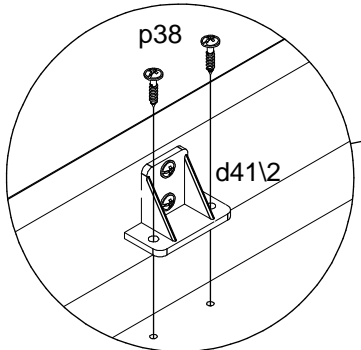
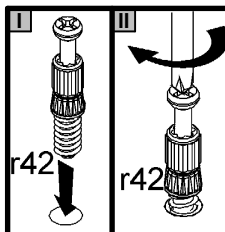
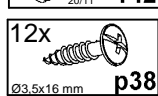
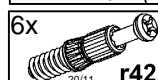
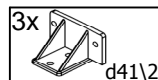
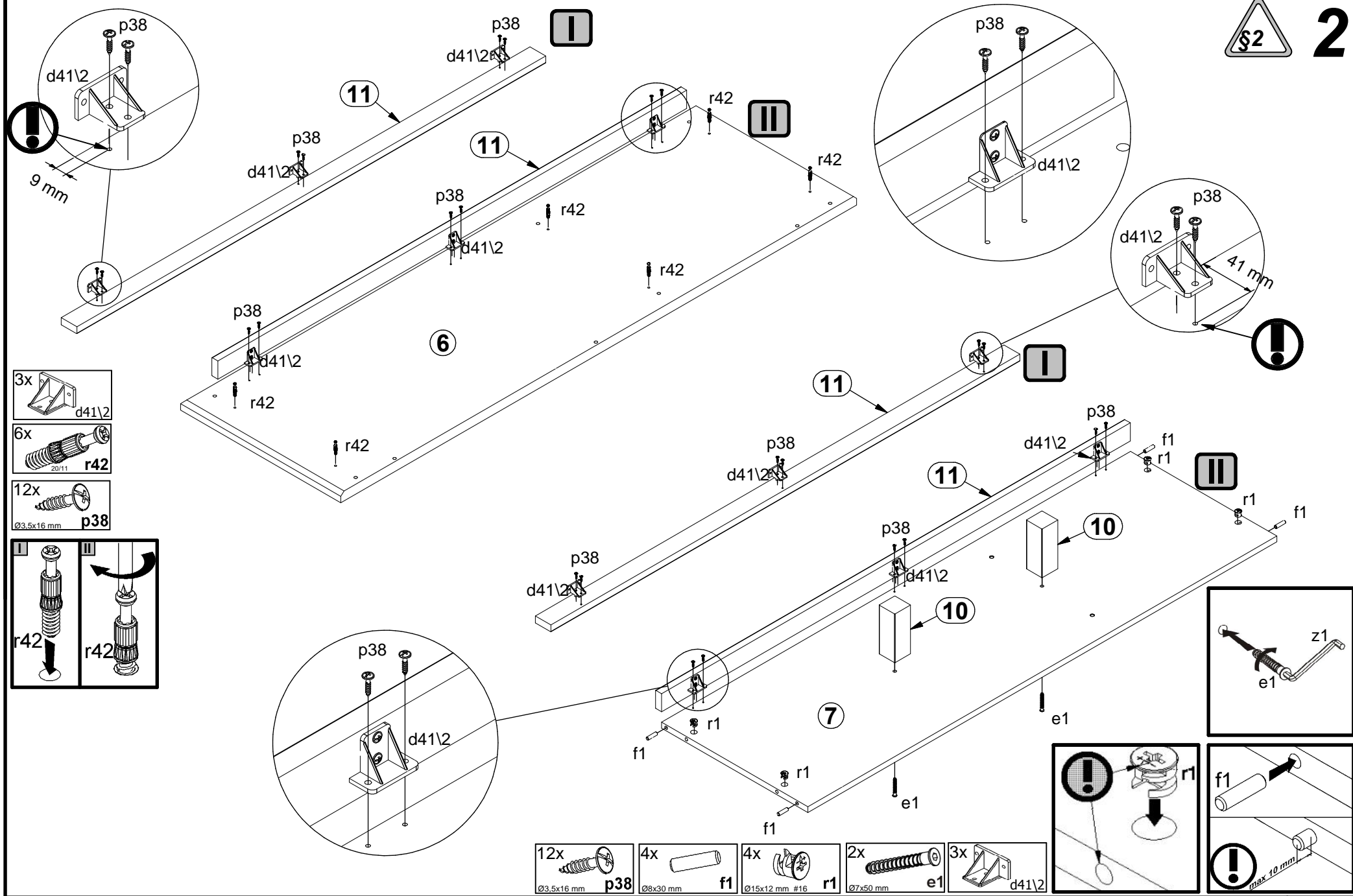
A	B	C1	C2	C3	D
1	S503-0009	290	496	16	1/3
2	S503-0010	120	496	16	1/3
3	S503-1015	470	466	18,	1/3
4	S503-1016	620	485	50	3/3
5	S503-1017	620	485	50	3/3
6	S503-2005	1639	510	28	2/3
7	S503-3010	1490	465	16	1/3
8	S503-3011	1000	451	22	2/3
9	S503-4301	470	1490	16	1/3
10	S503-5005	134	50	50	3/3
11	S503-5009	1490	50	19	1/3
12	WSP-9248	472	408	2,5	1/3
13	WTQ-5326	462	62	16	1/3
14	ZQ6-529	400	75	12	1/3
15	ZQ6-530	400	75	12	1/3

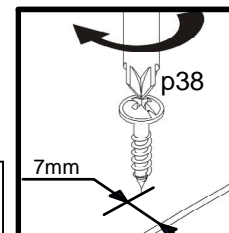
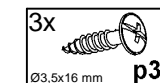
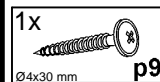
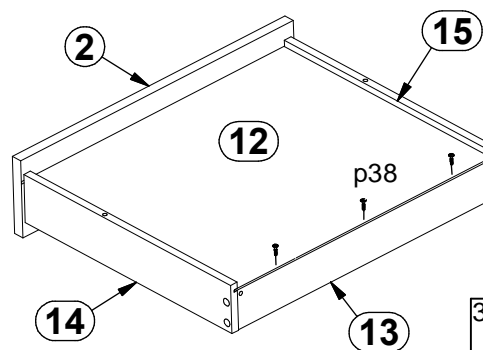
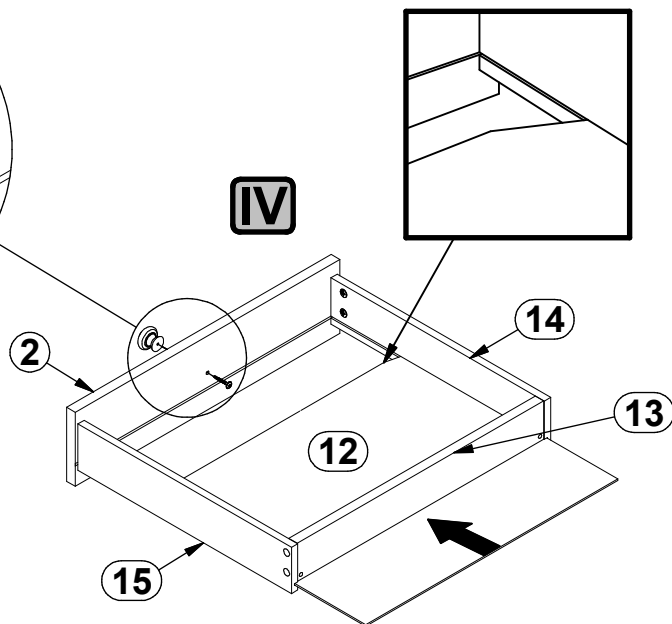
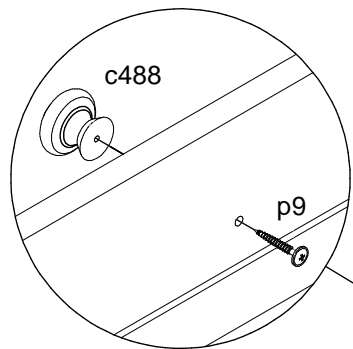
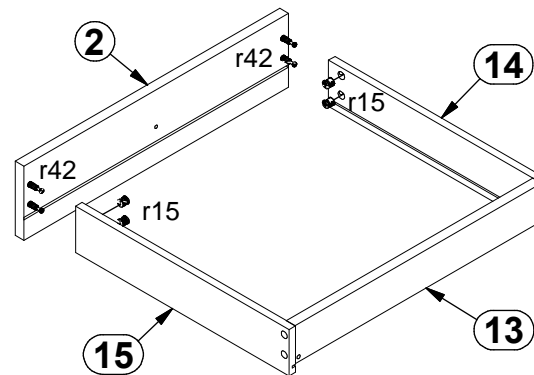
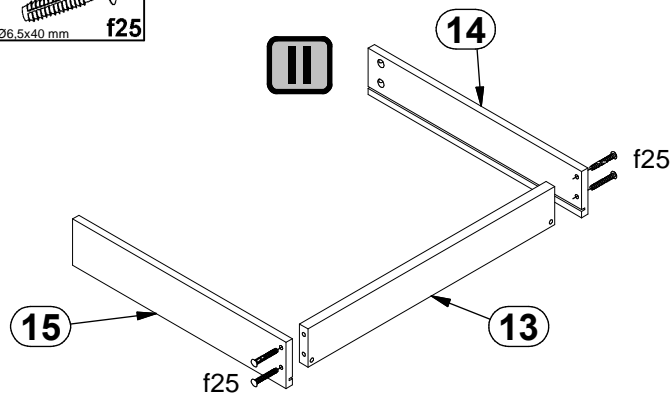
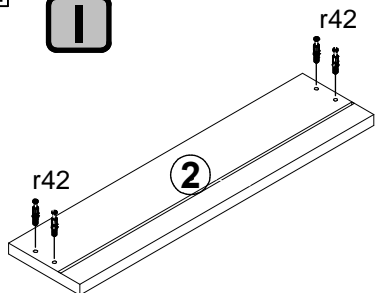
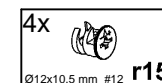
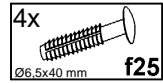
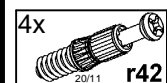
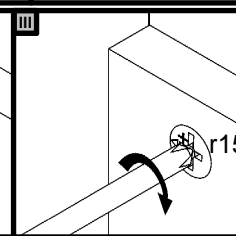
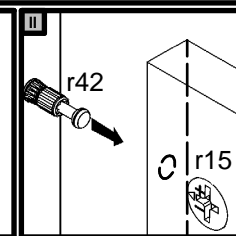
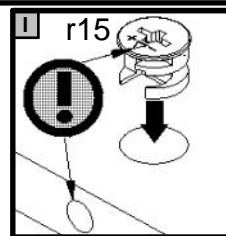
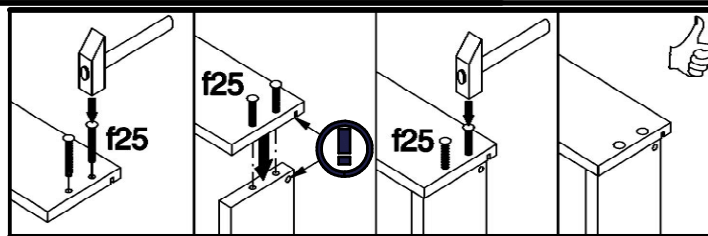
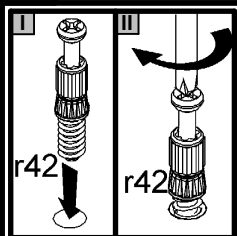


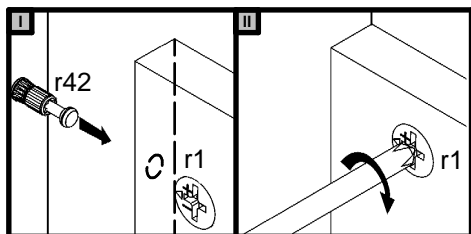




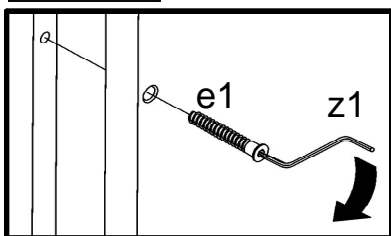
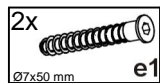
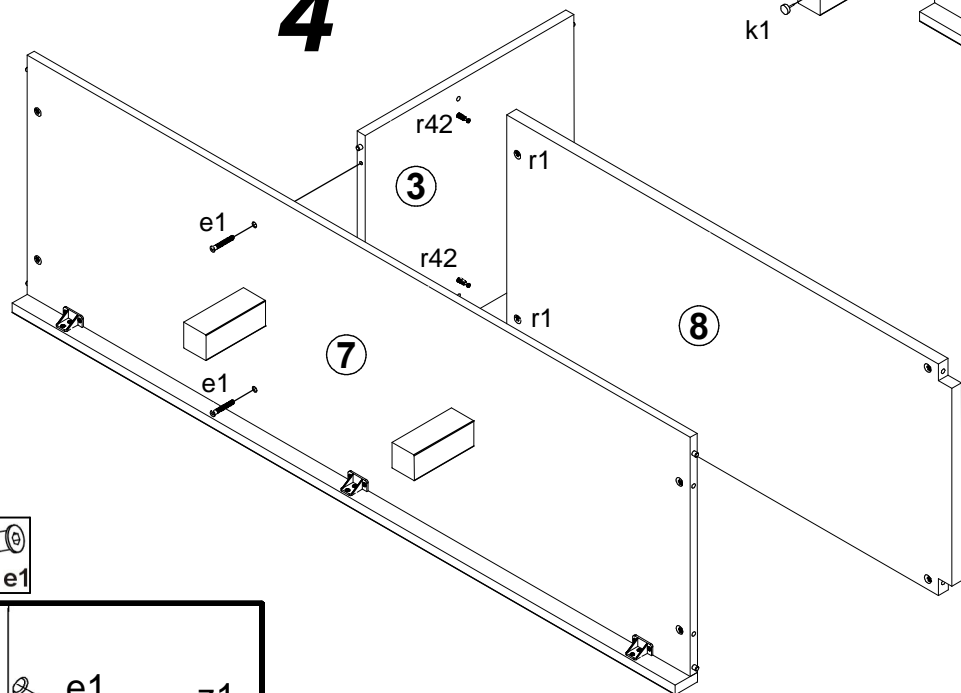
2



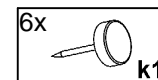
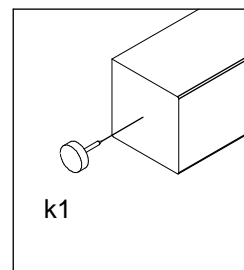
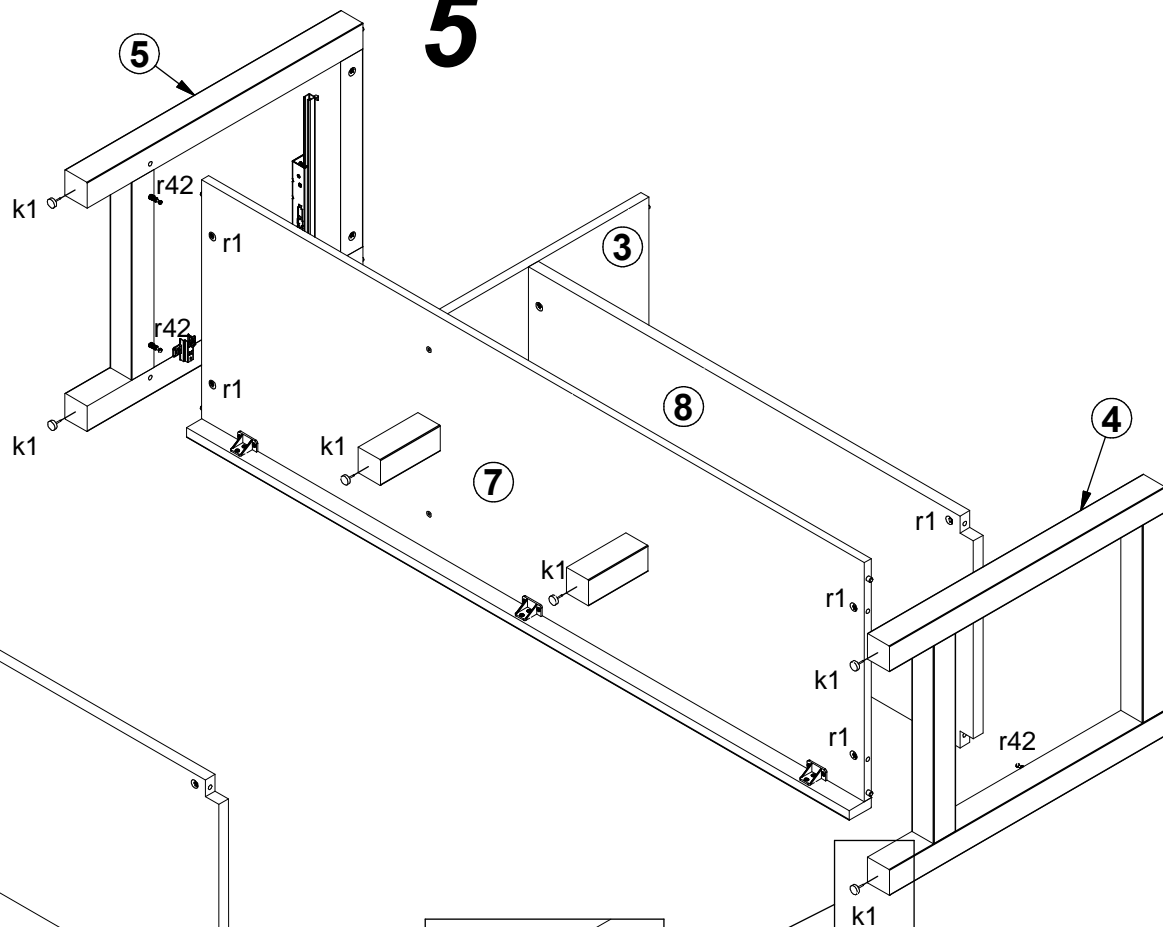




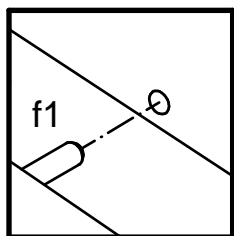
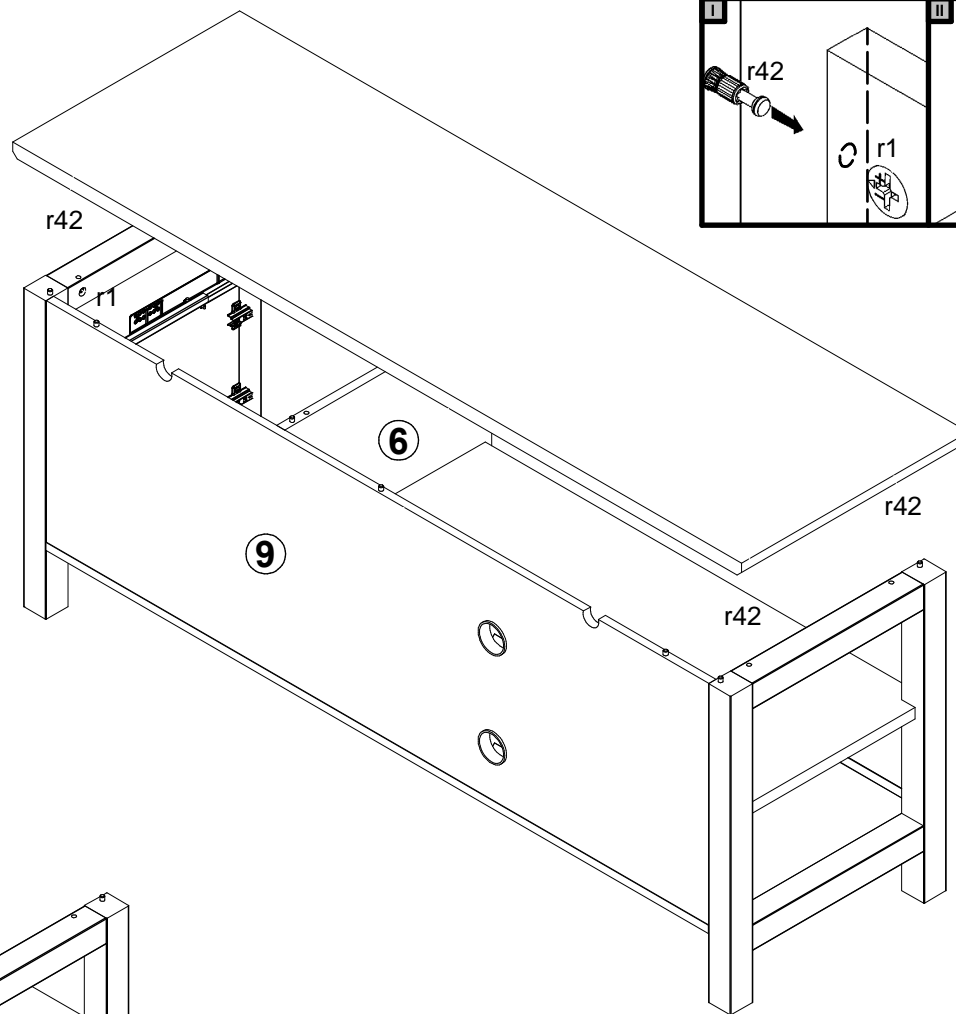
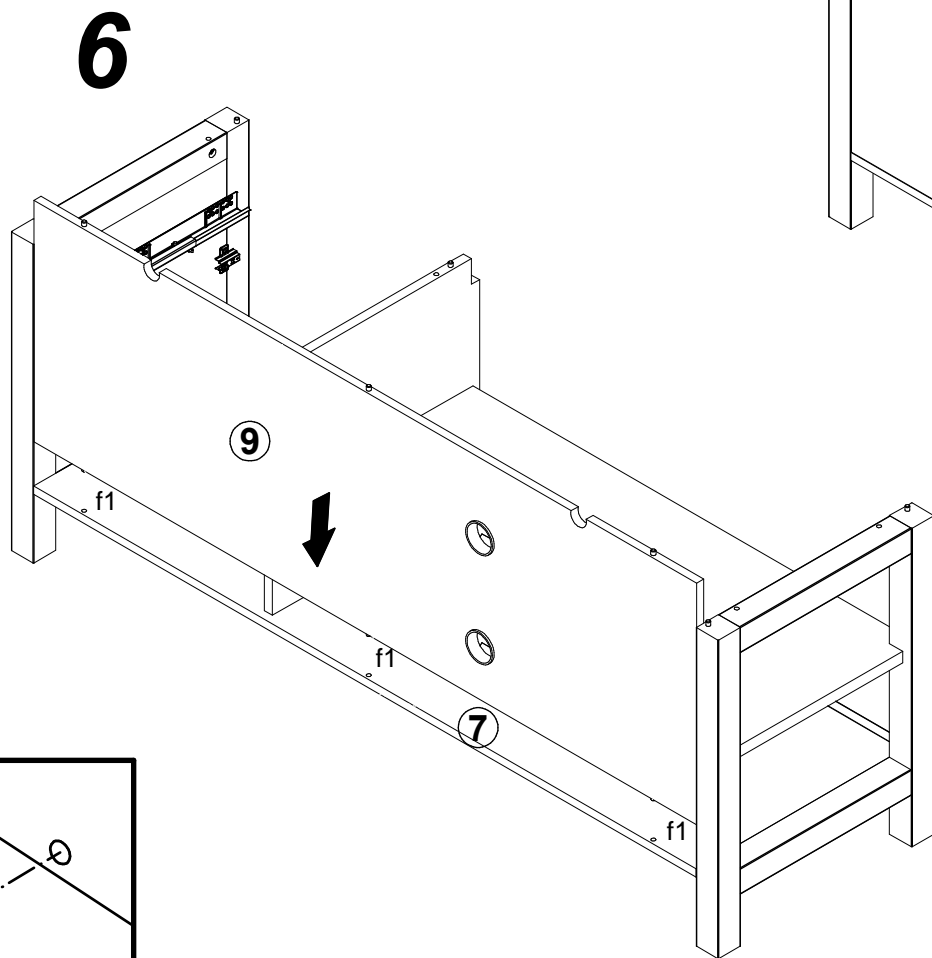
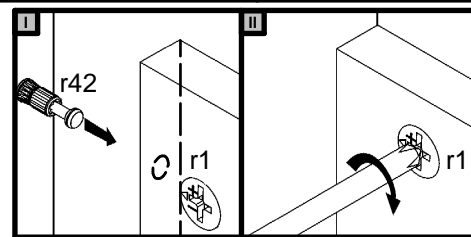
4



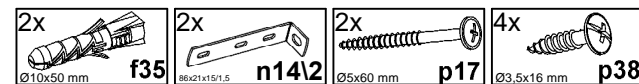
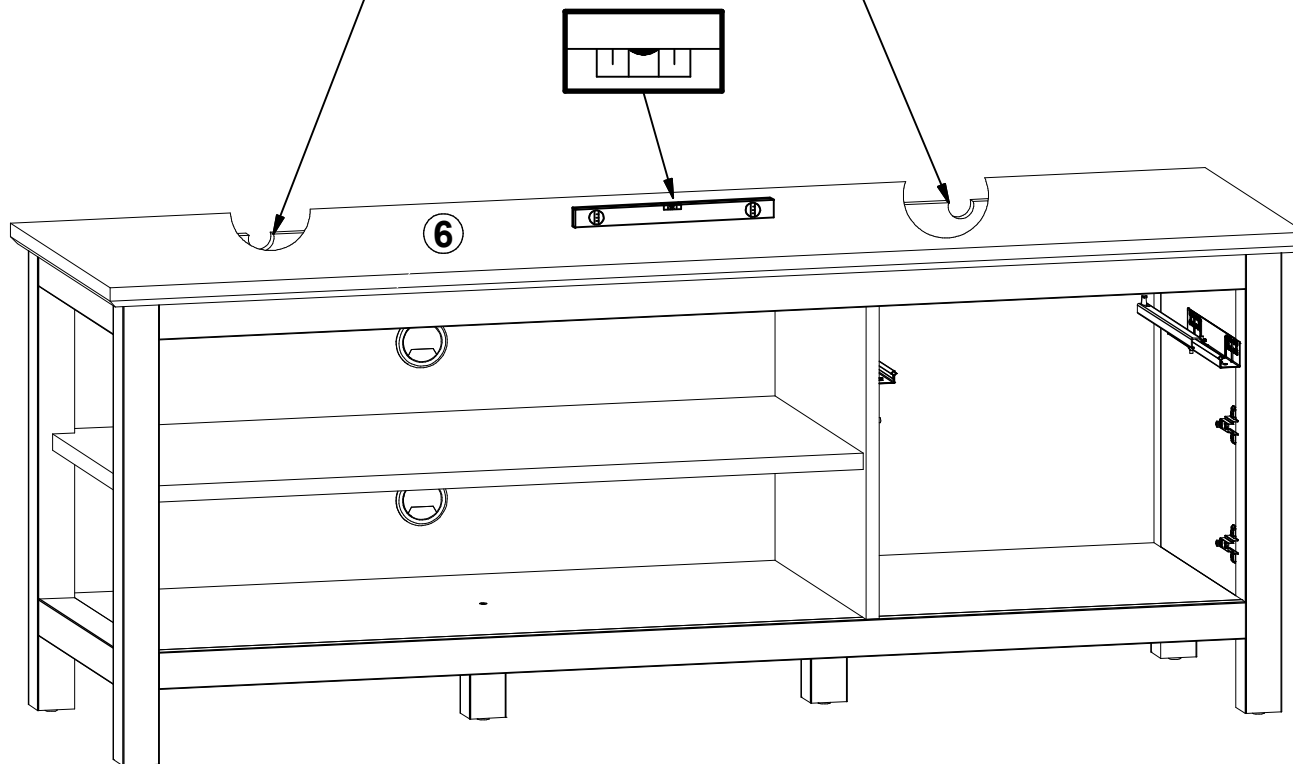
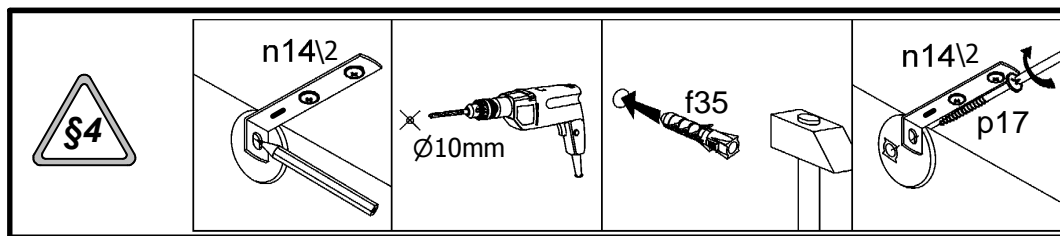
5

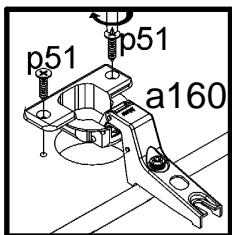


7



8





9

