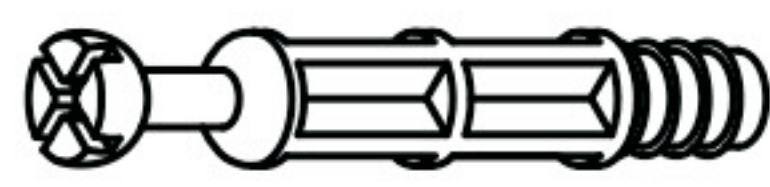


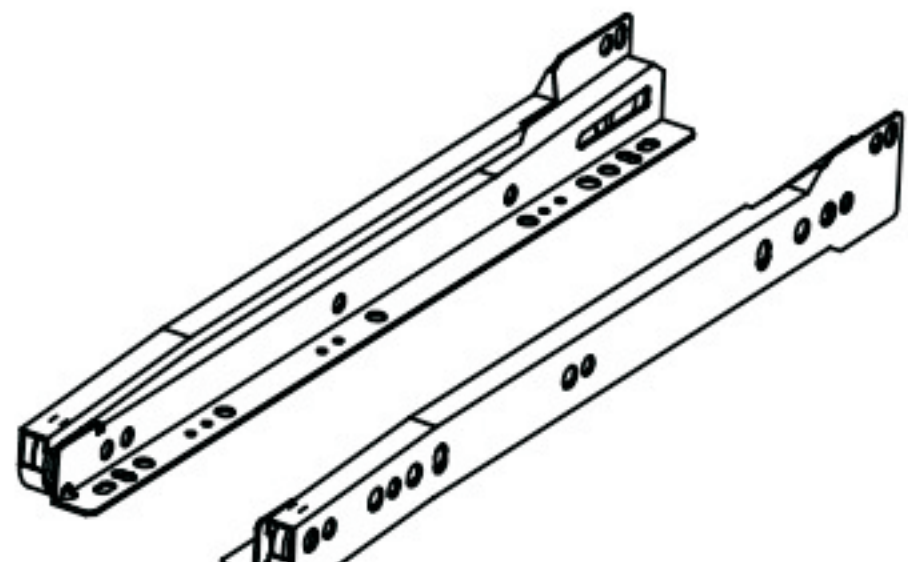

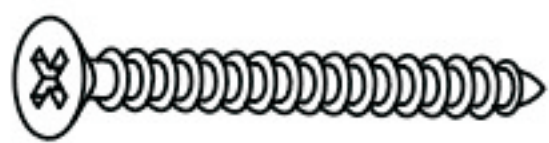
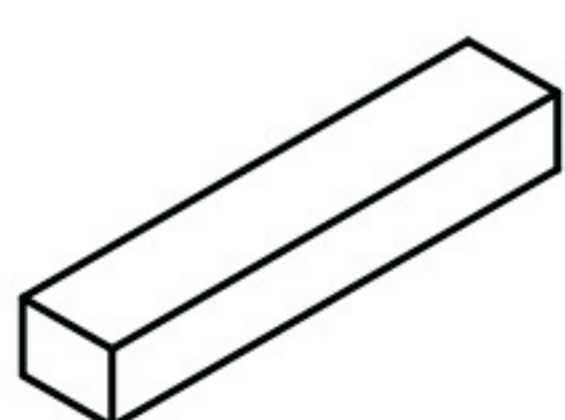

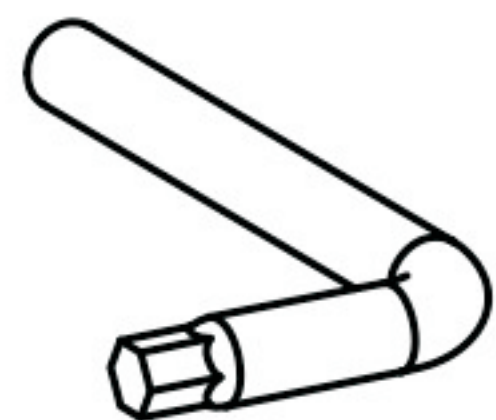
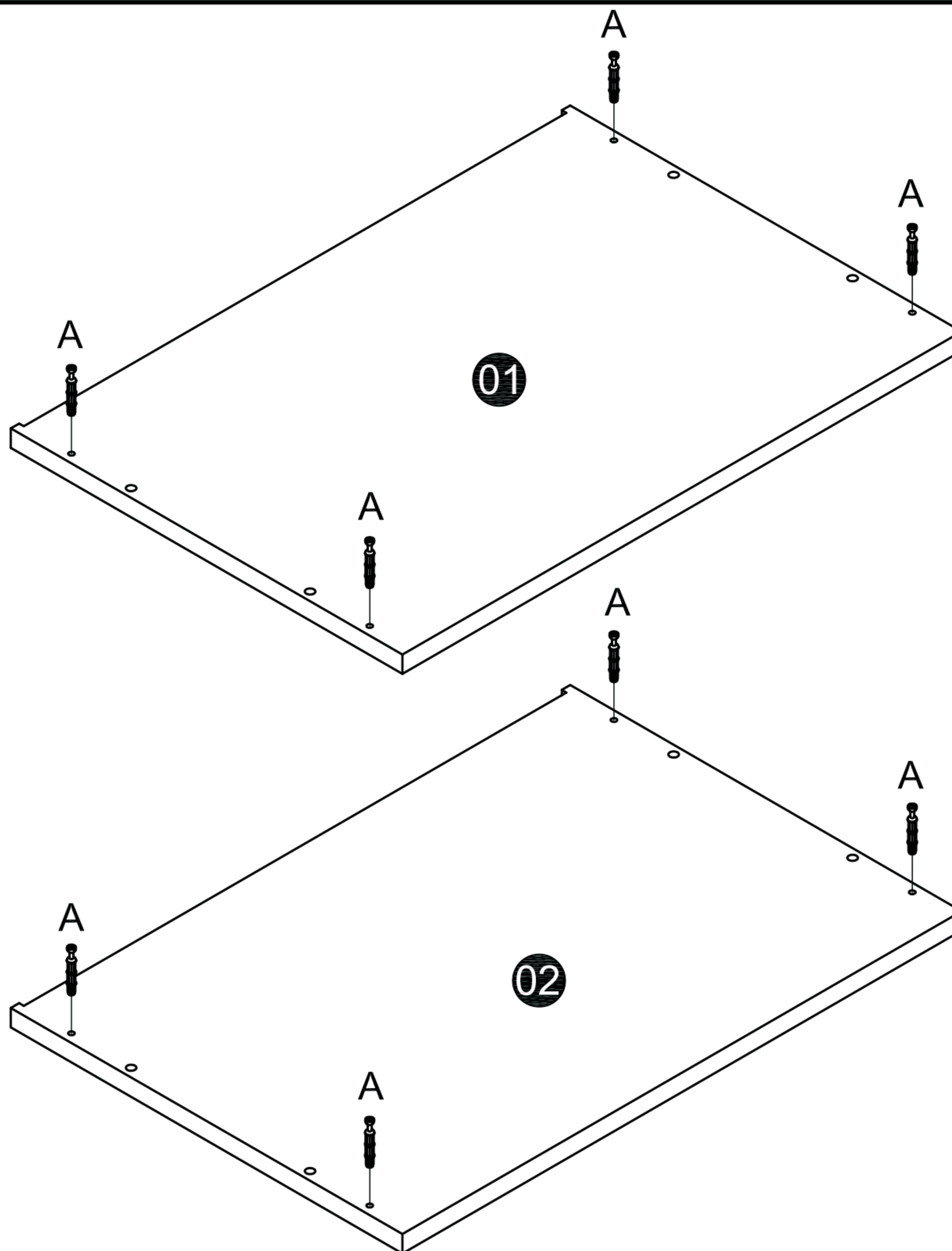


<p>A x20</p> 	<p>B x20</p> 	<p>C x8</p>  <p>∅8 x30mm</p>	<p>D x3</p> 	<p>E x42</p>  <p>∅3.5x12mm</p>
<p>F x18</p>  <p>∅4 x30mm</p>	<p>G x3</p> 	<p>H x8</p> 	<p>I x1</p> 	

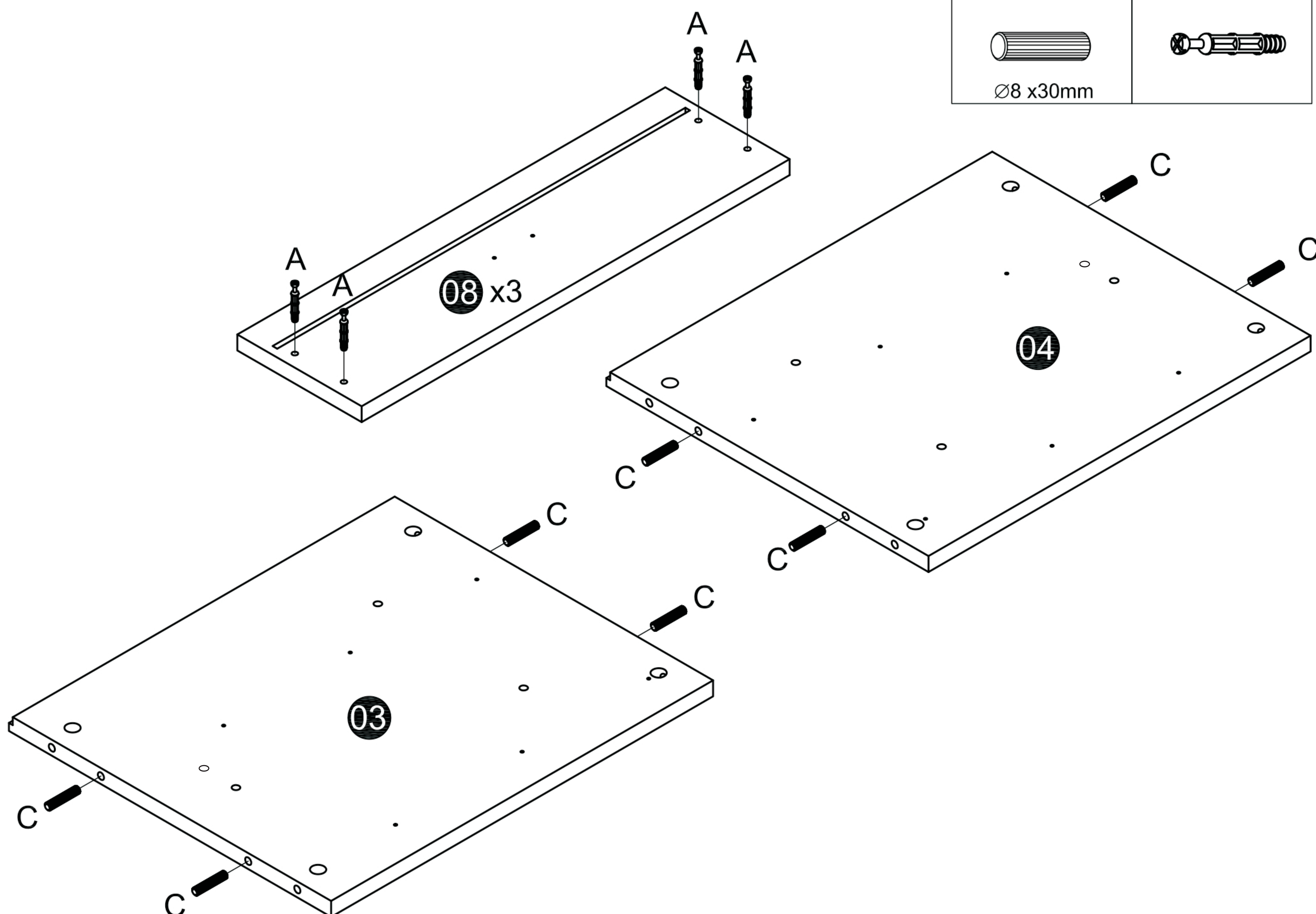
01



A x8



02



C x8

A x12

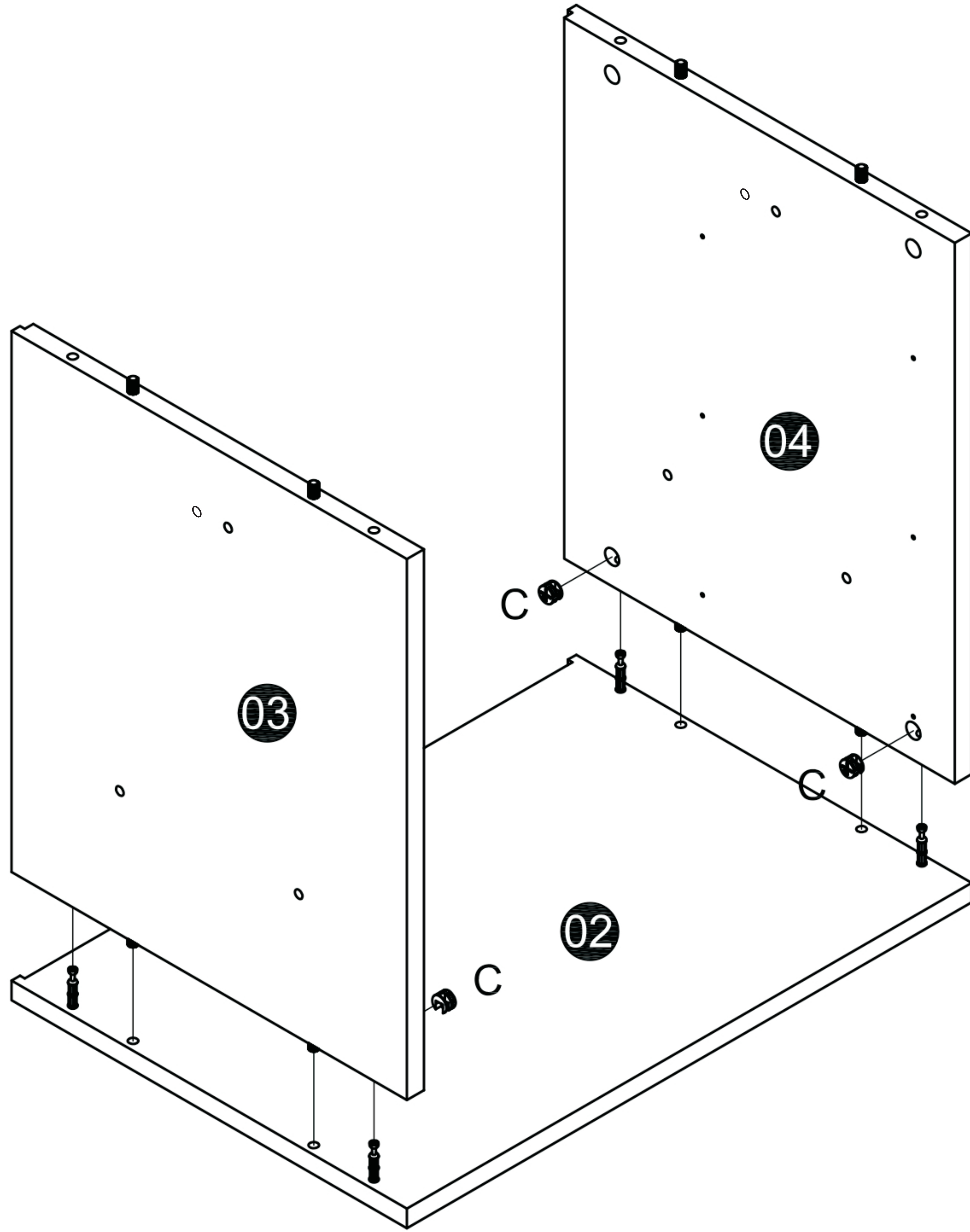


Ø8 x30mm



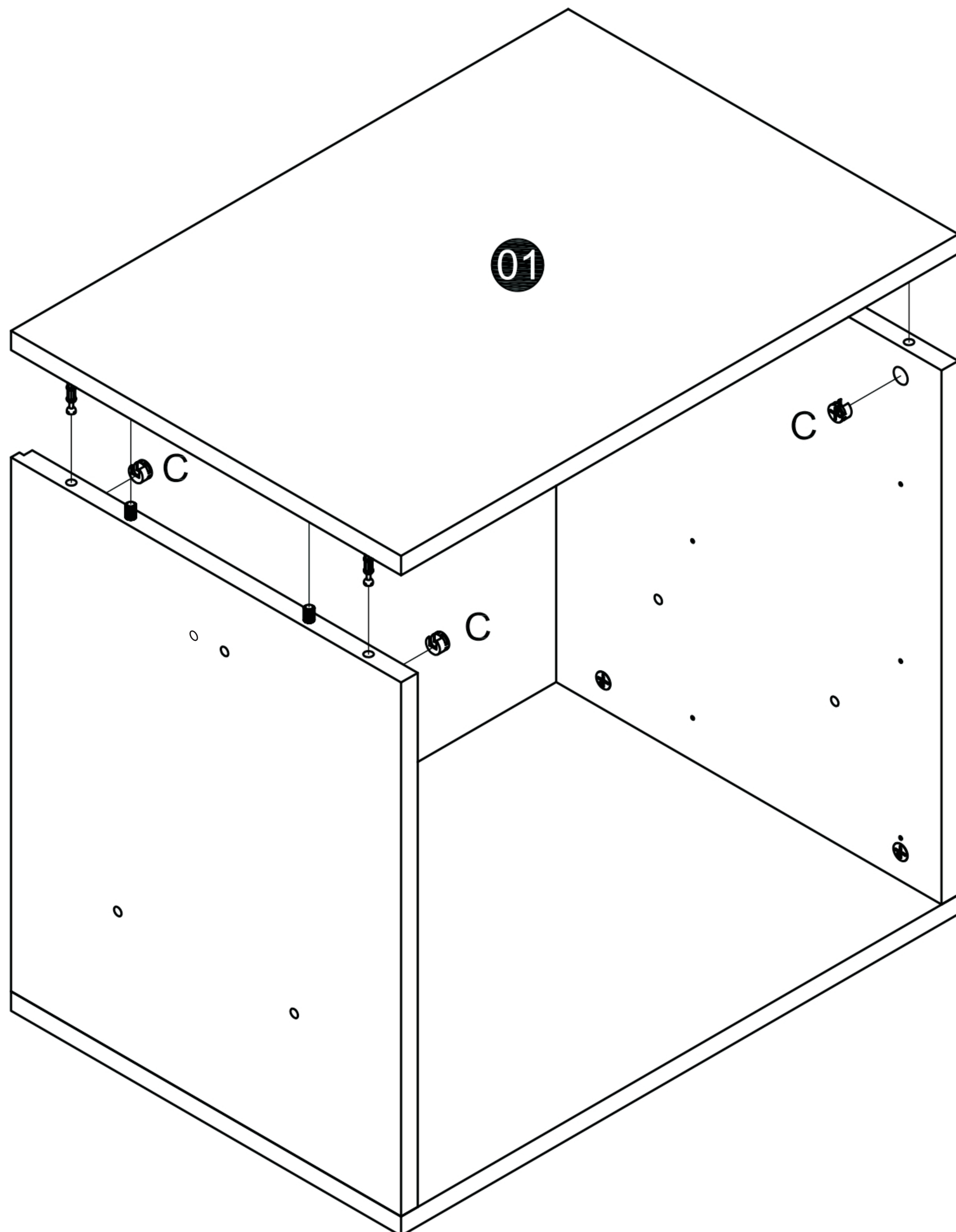
03

B x4



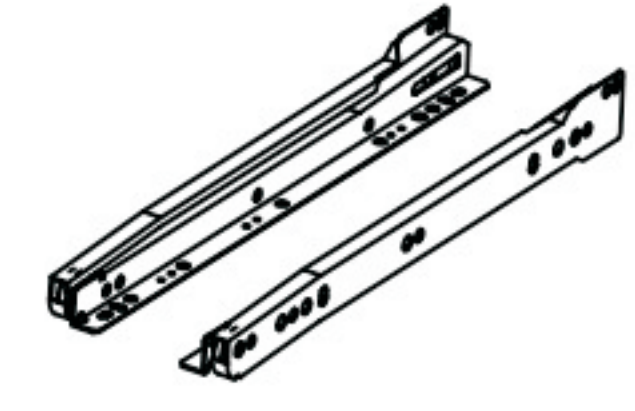
04

B x4

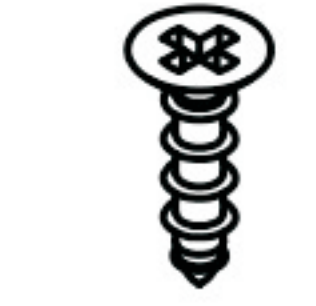


05

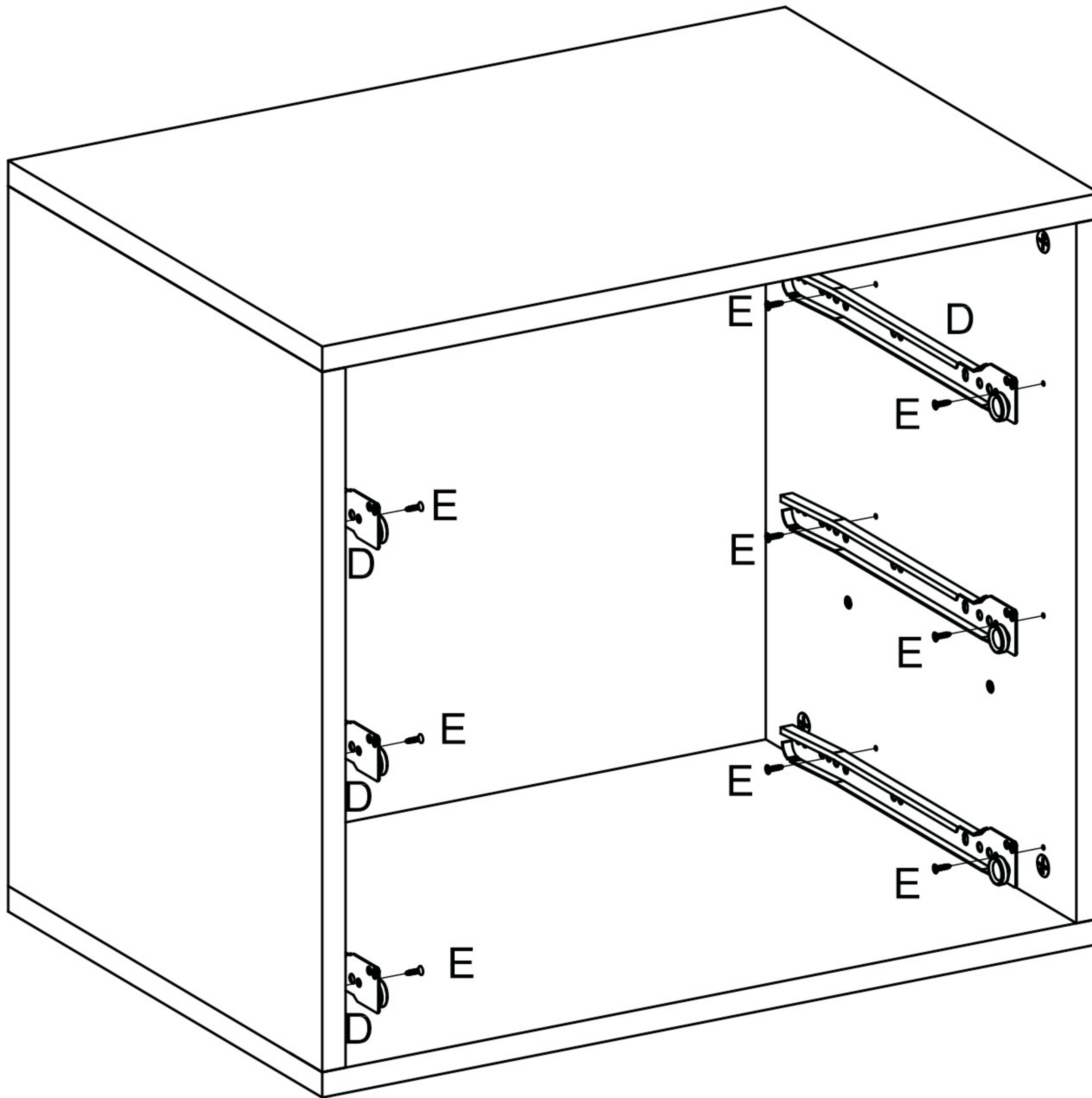
D x3



E x12



Ø3.5x12mm

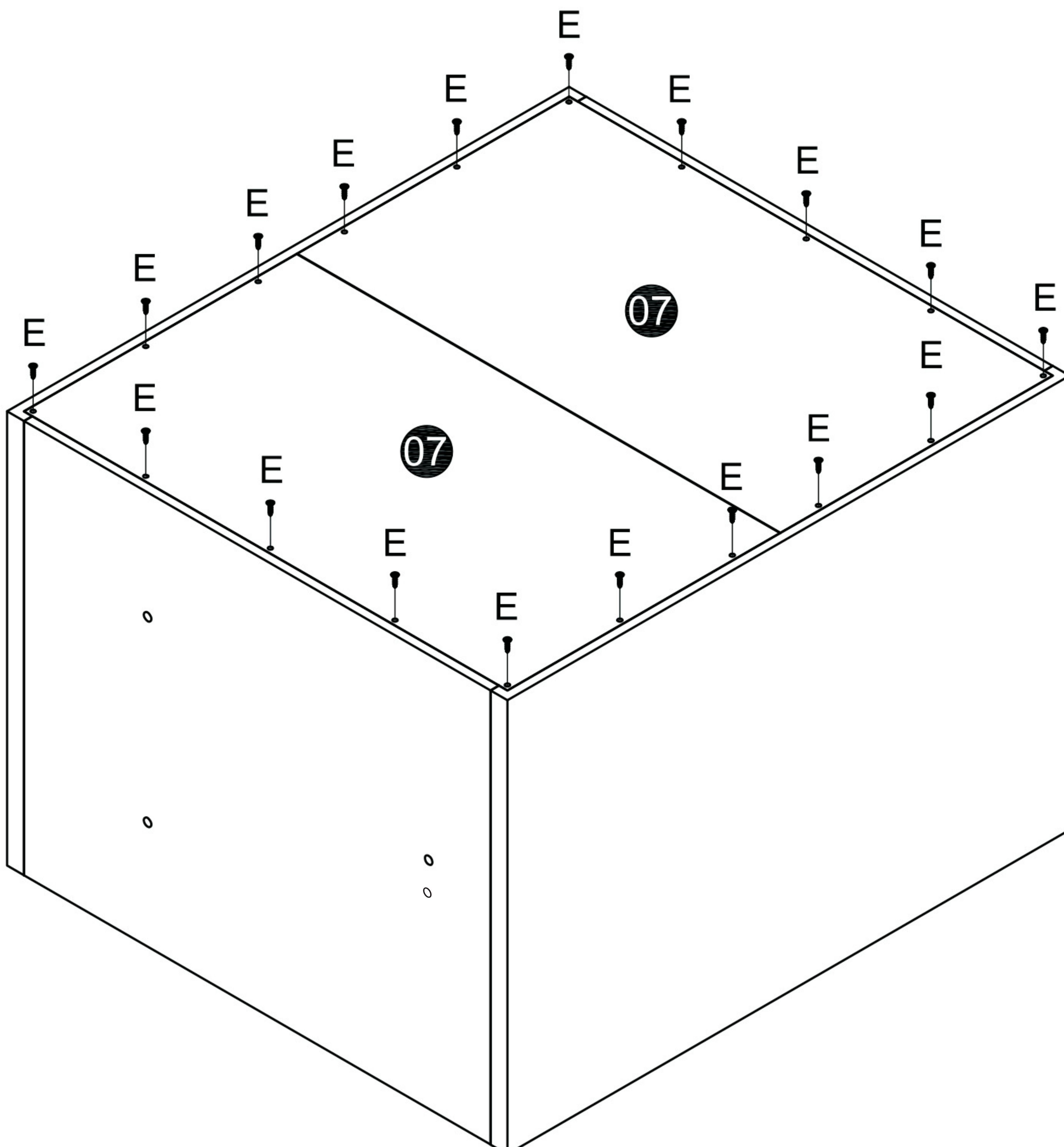


06

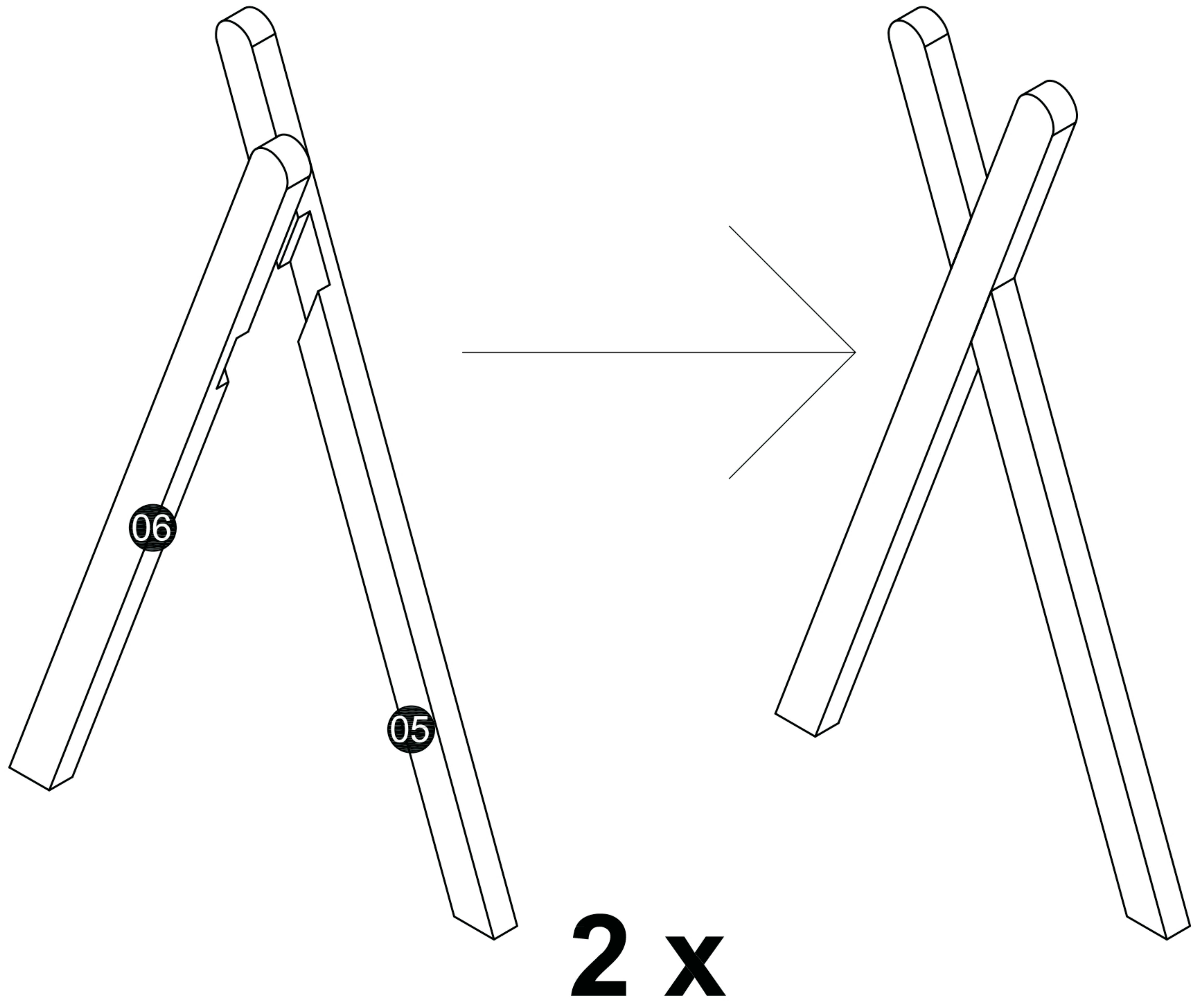
E x18



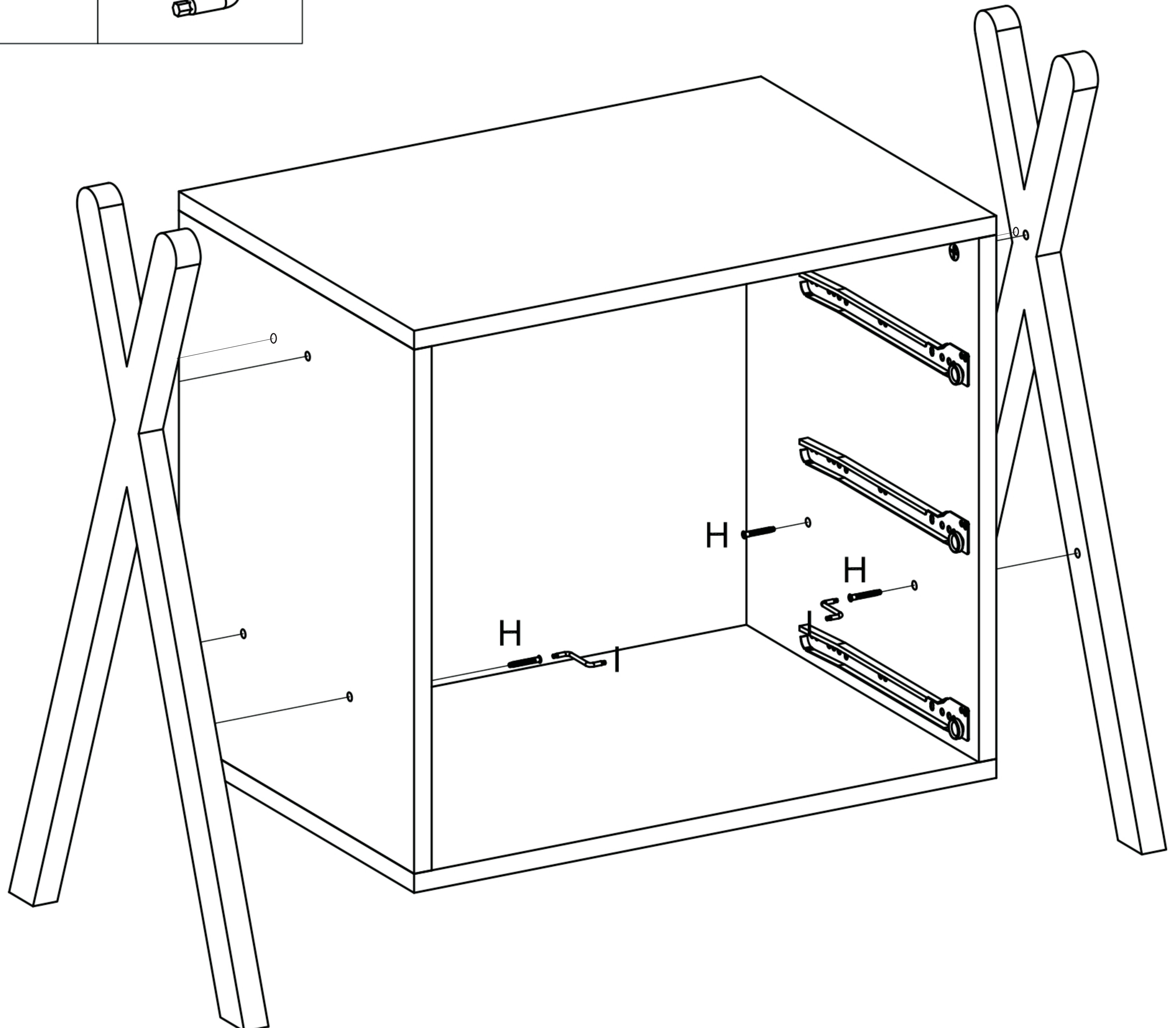
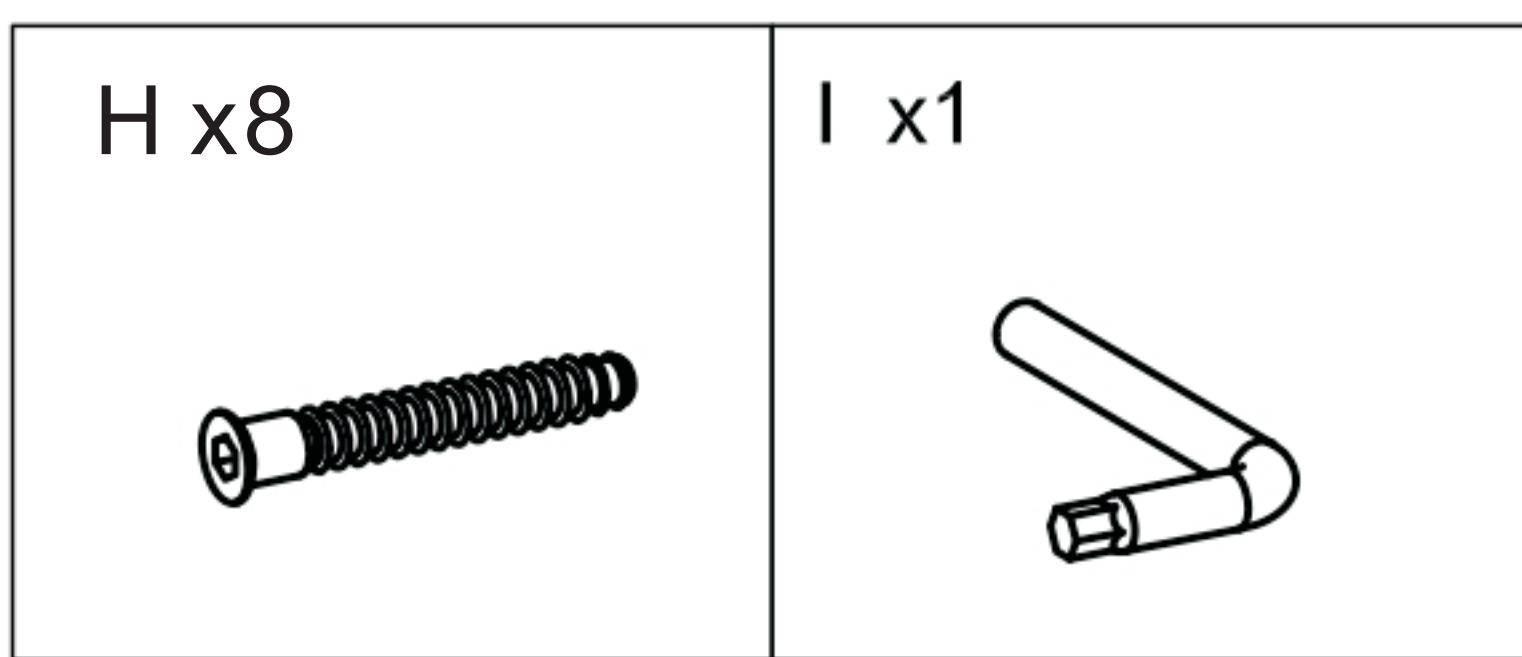
Ø3.5x12mm



07



08

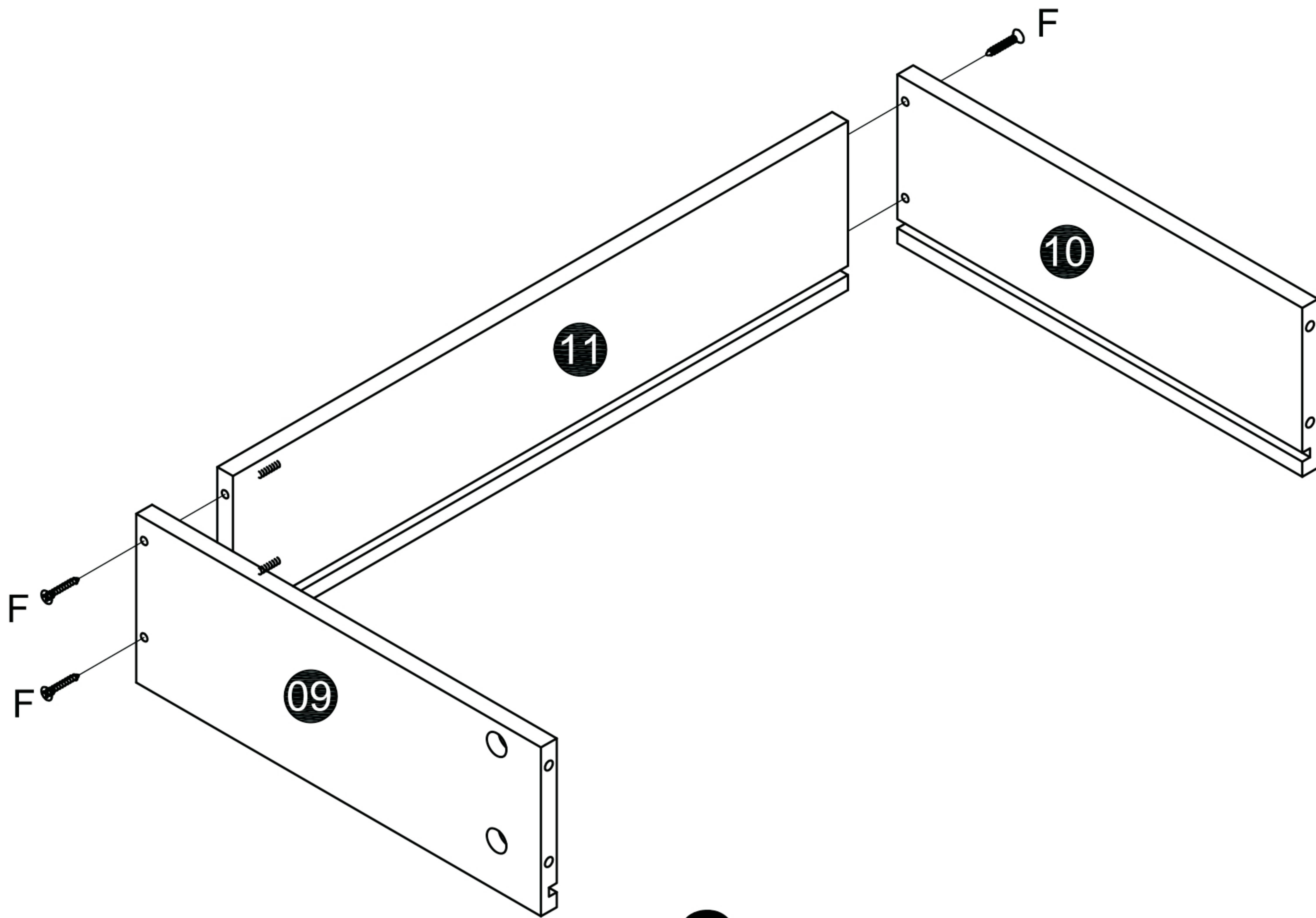


09

F x12

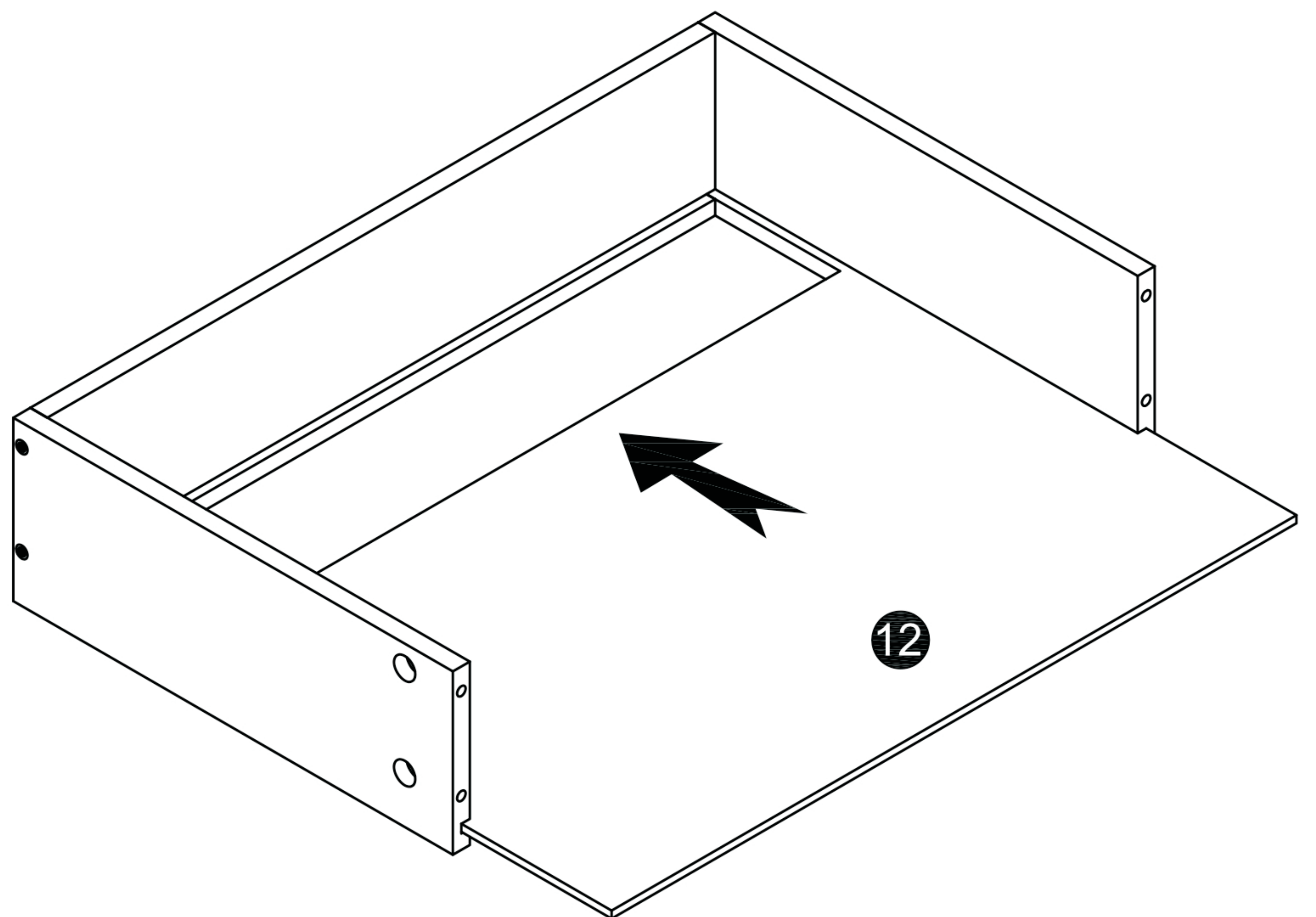


Ø4 x30mm



3 x

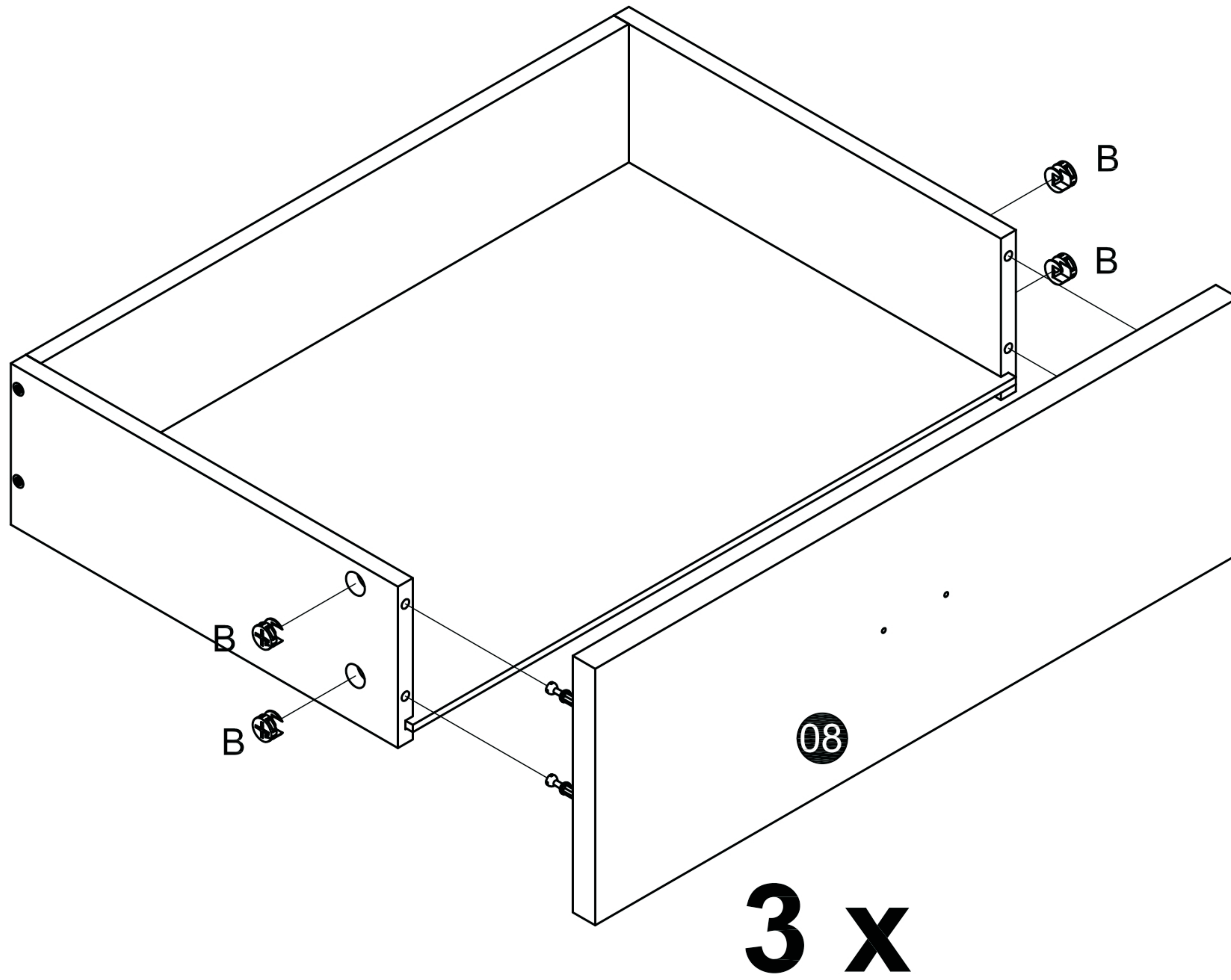
10



3 x

11

B x12



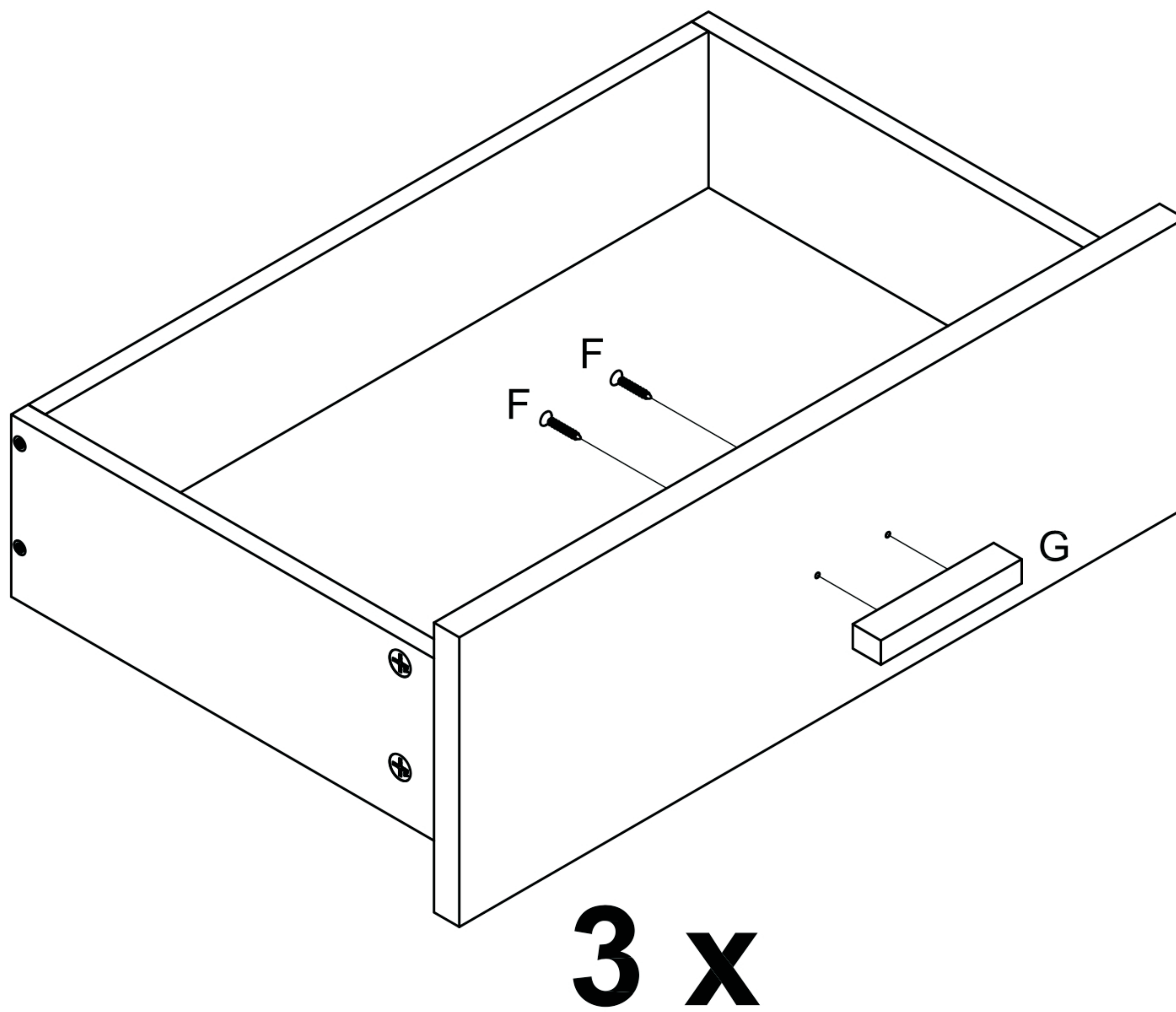
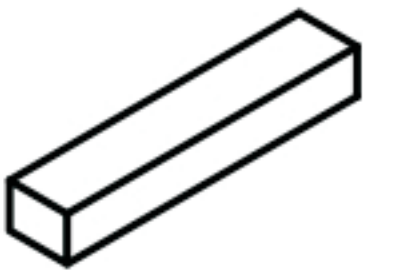
12

F x6

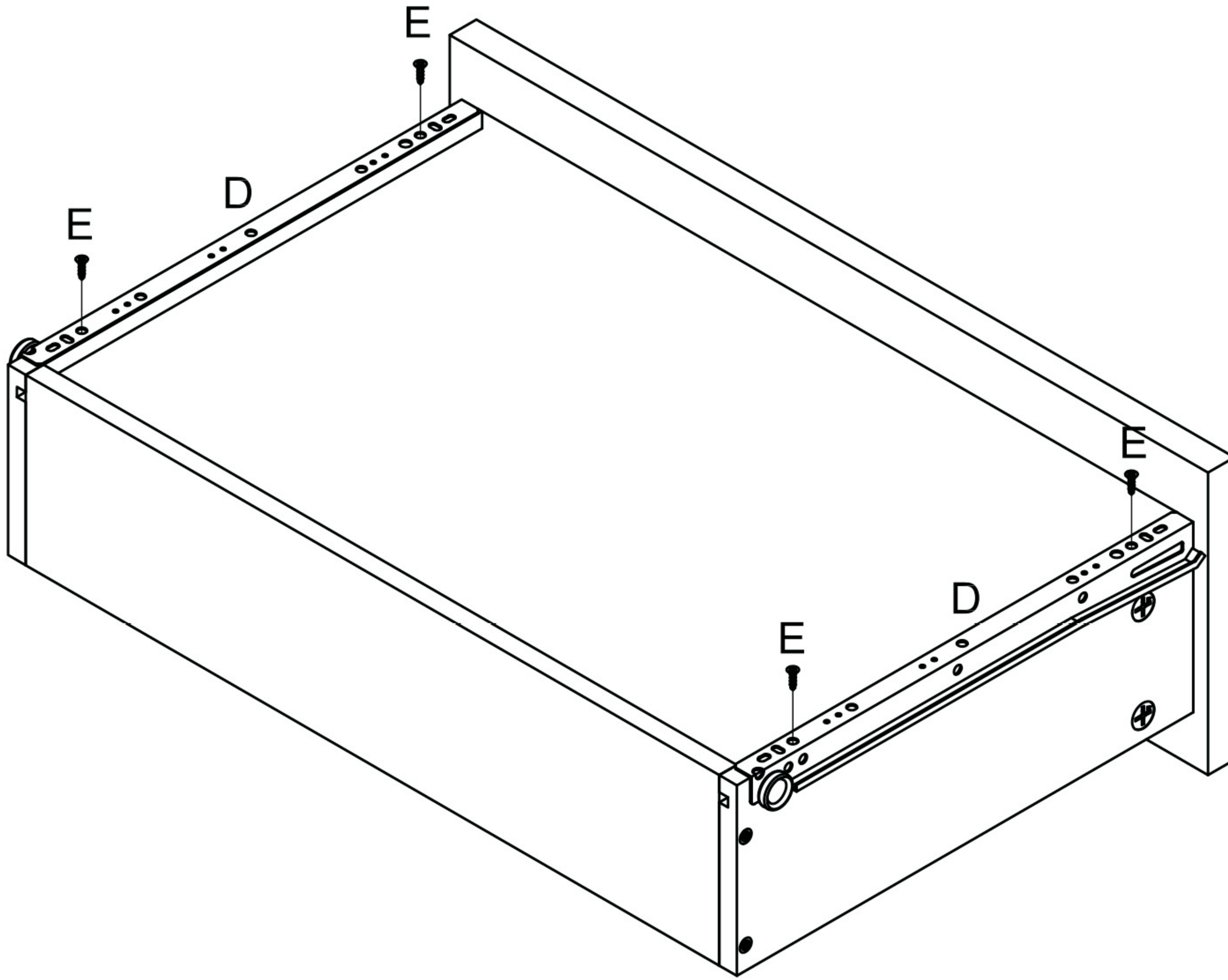
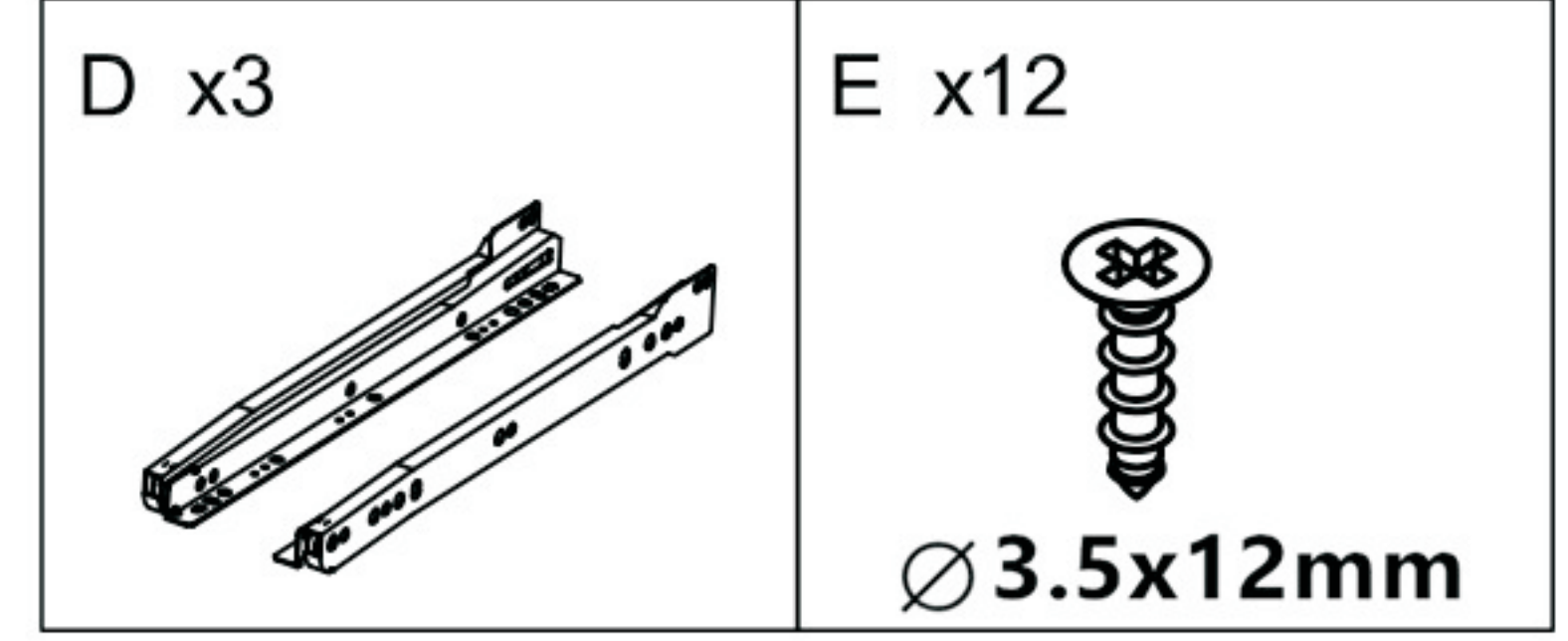


Ø4 x30mm

G x3



13



3 x

14

