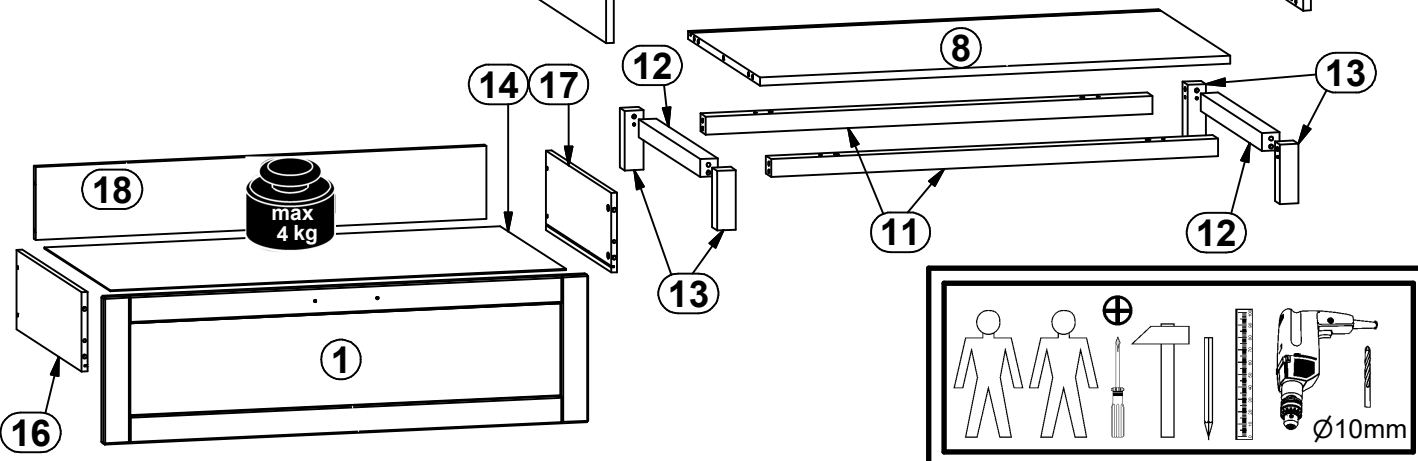
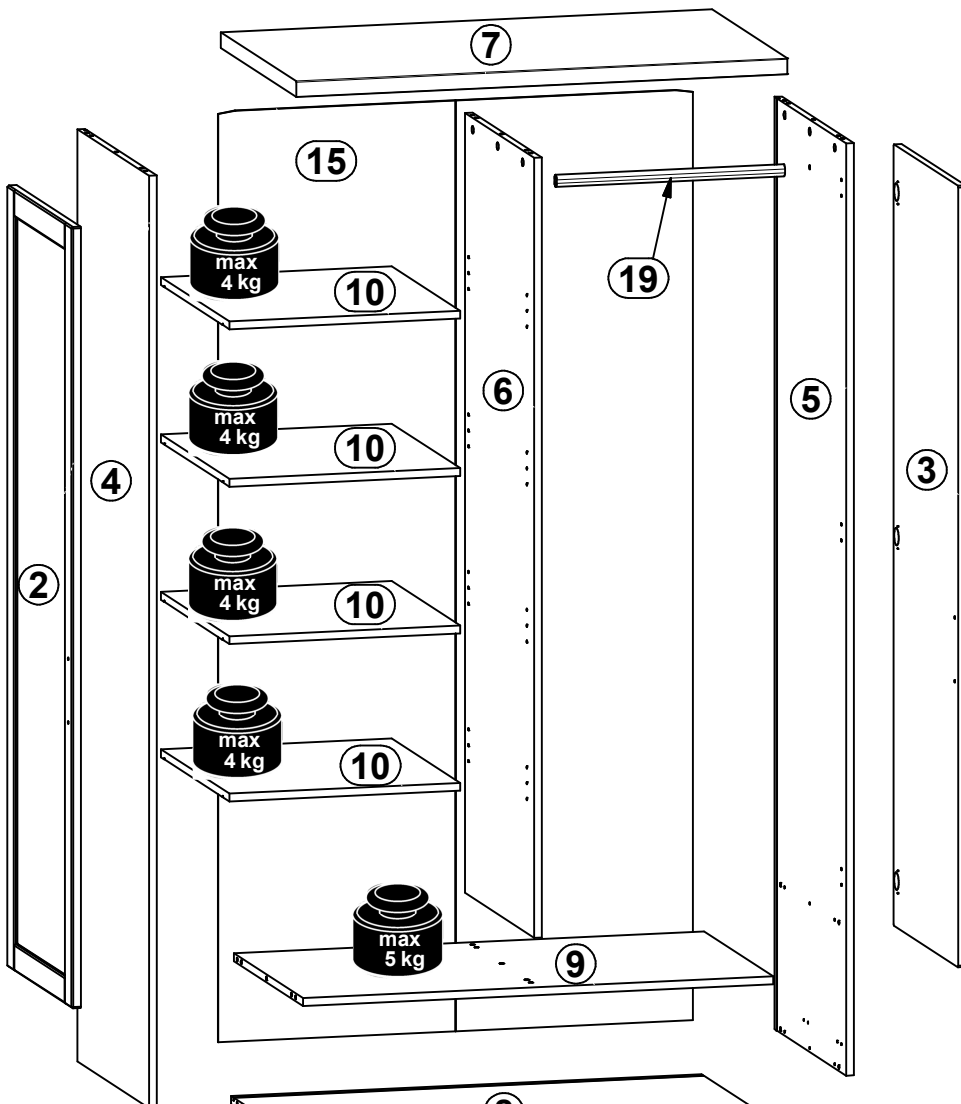
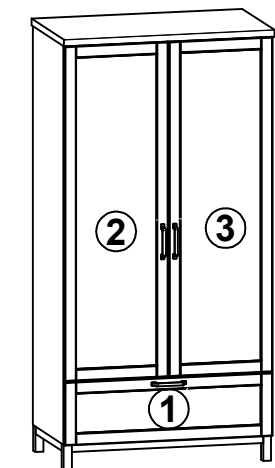
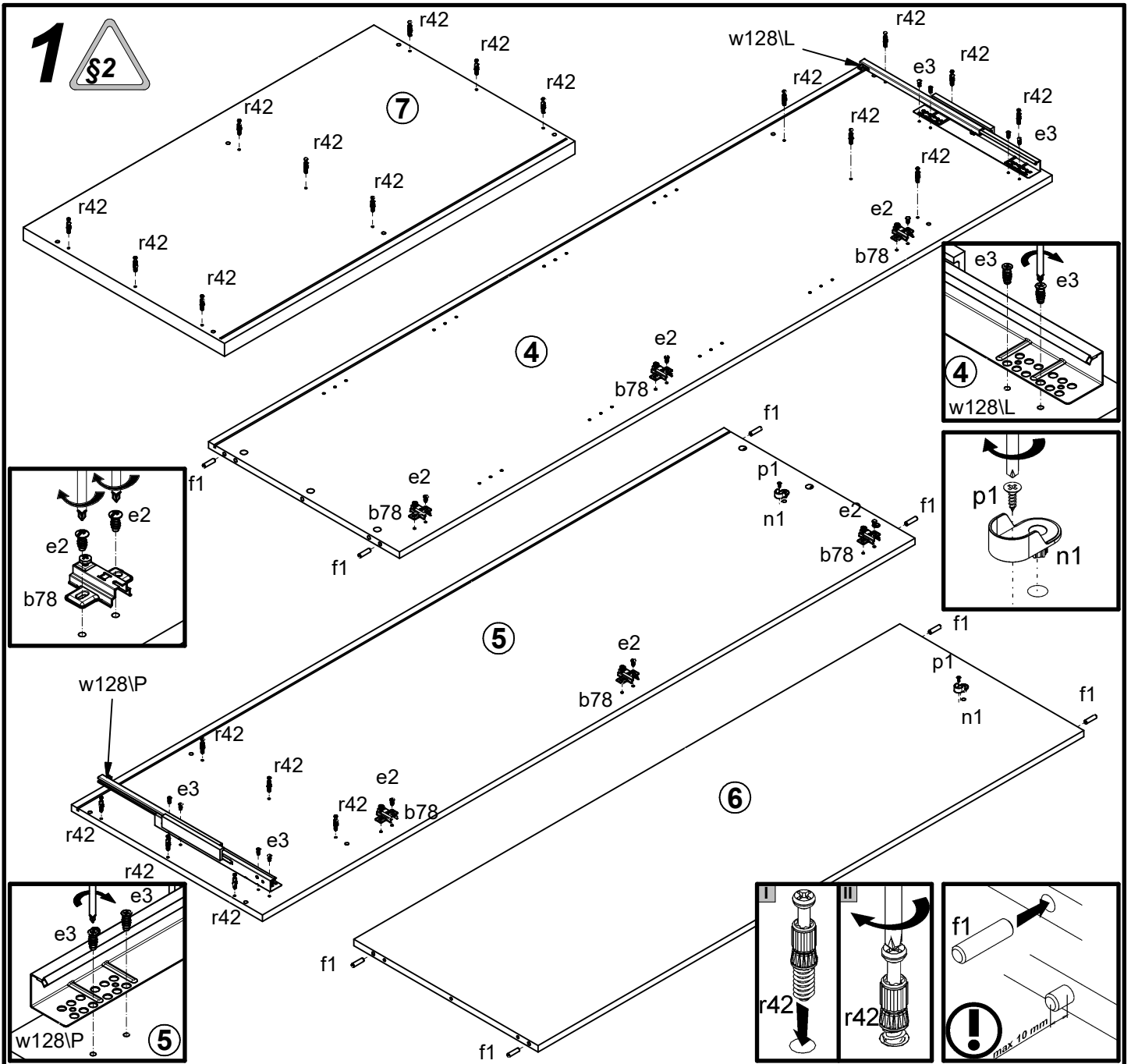


A	B	C	D	
1	S369-0014	996	297	3/5
2	S369-0015	1574	496	5/5
3	S369-0016	1574	496	5/5
4	S369-1022	1878	550	1/5
5	S369-1023	1878	550	1/5
6	S369-1024	1571	530	2/5
7	S369-2009	1009	579	3/5
8	S369-3016	966	550	3/5
9	S369-3017	966	530	2/5
10	S369-3018	474	524	2/5
11	S369-4003	918	40	4/5
12	S369-4009	470	36	4/5
13	S369-5004	120	38	4/5
14	S369-9005	936	505	3/5
15	S369-9310	1875	975	1/5
16	ZQ5-547	500	160	2/5
17	ZQ5-548	500	160	2/5
18	ZQ5-549	926	147	3/5
19	dr-469	469,	30	3/5

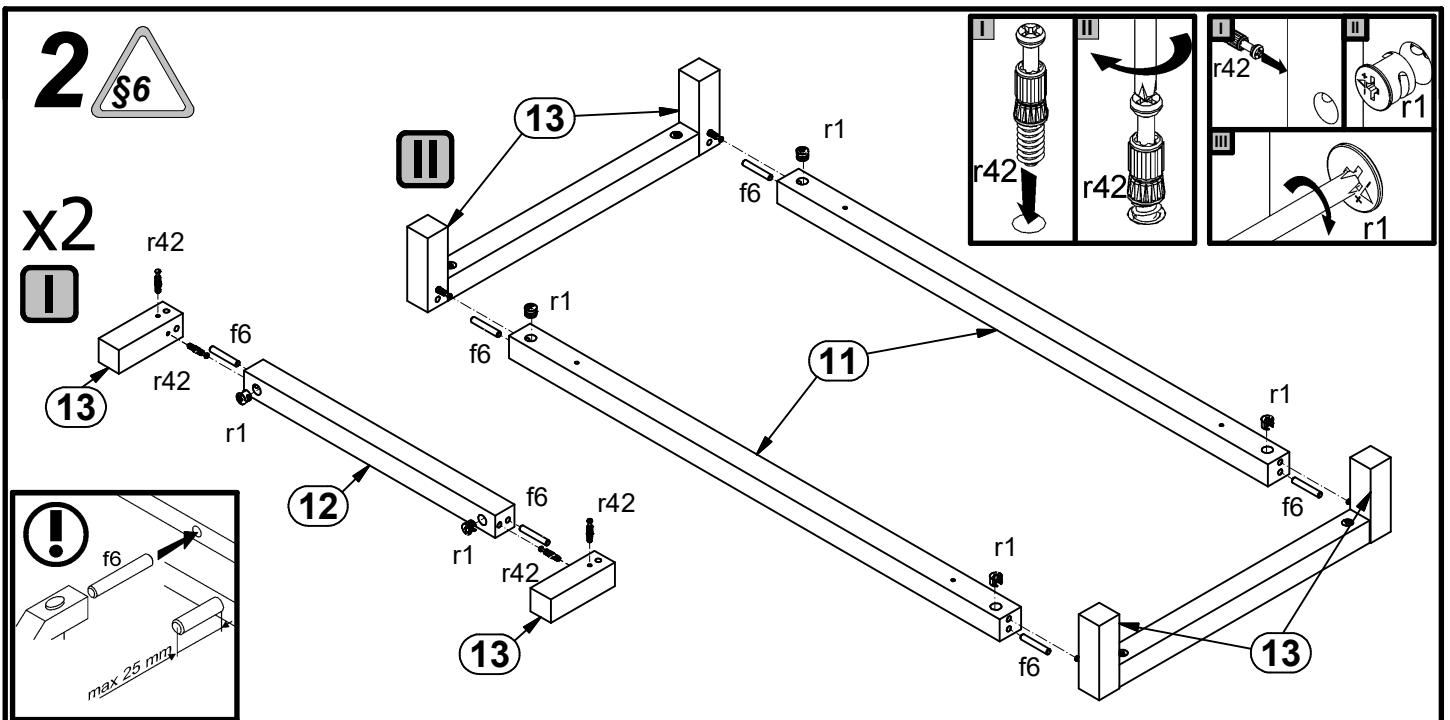


2x a133	6x a158 Ø35 mm 90°	6x b78	3x c454 128mm	16x d1 Ø5x17 mm	3x e1 Ø7x50 mm	12x e2 Ø6,3x13 mm	8x e3 Ø6x13 mm	20x f1 Ø8x30 mm
8x f6 Ø8x50 mm	2x f9 Ø6x30 mm	4x f25 Ø6,5x40 mm	2x f35 Ø10x50 mm	6x j11 M4x28 mm	25x l1 1,4x20 mm	14x l2	2x n1 h=22mm	2x n14/2 88x21x15/1,5
2x p1 Ø3,5x13 mm	4x p12 Ø4x50 mm	2x p17 Ø5x60 mm	1x p25 Ø3,5x16 mm	1x p35 Ø3,5x10 mm	10x p38 Ø3,5x16 mm	12x p51 Ø3,5x15 mm	29x r1 Ø15x12 mm #16	4x r15 Ø12x10,5 mm #12
33x r42	1x t34 500 mm	1x w128/L 500 mm	1x w128/P 500 mm	9x s68 Ø 20mm	1x z1 4 mm			

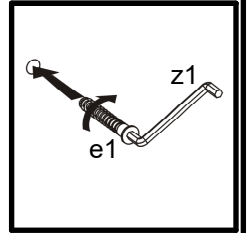
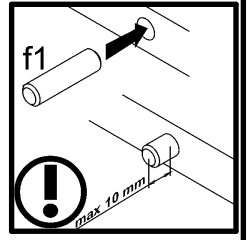
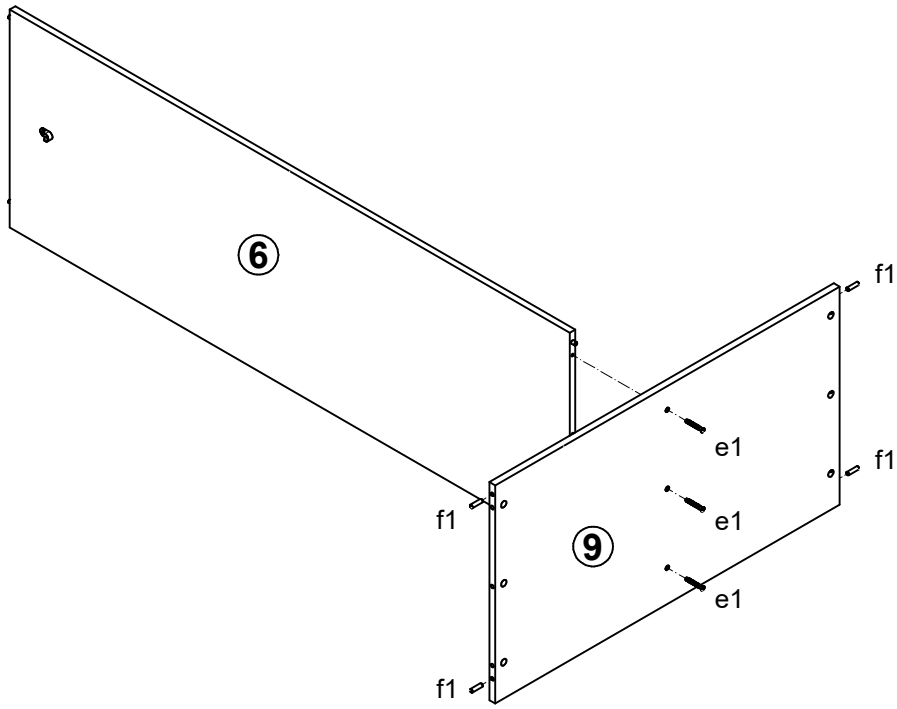
1 §2



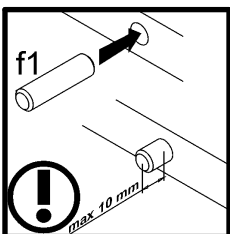
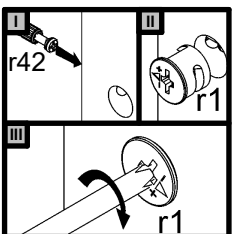
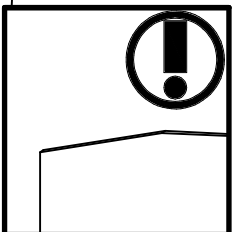
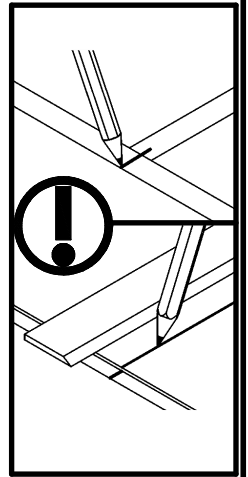
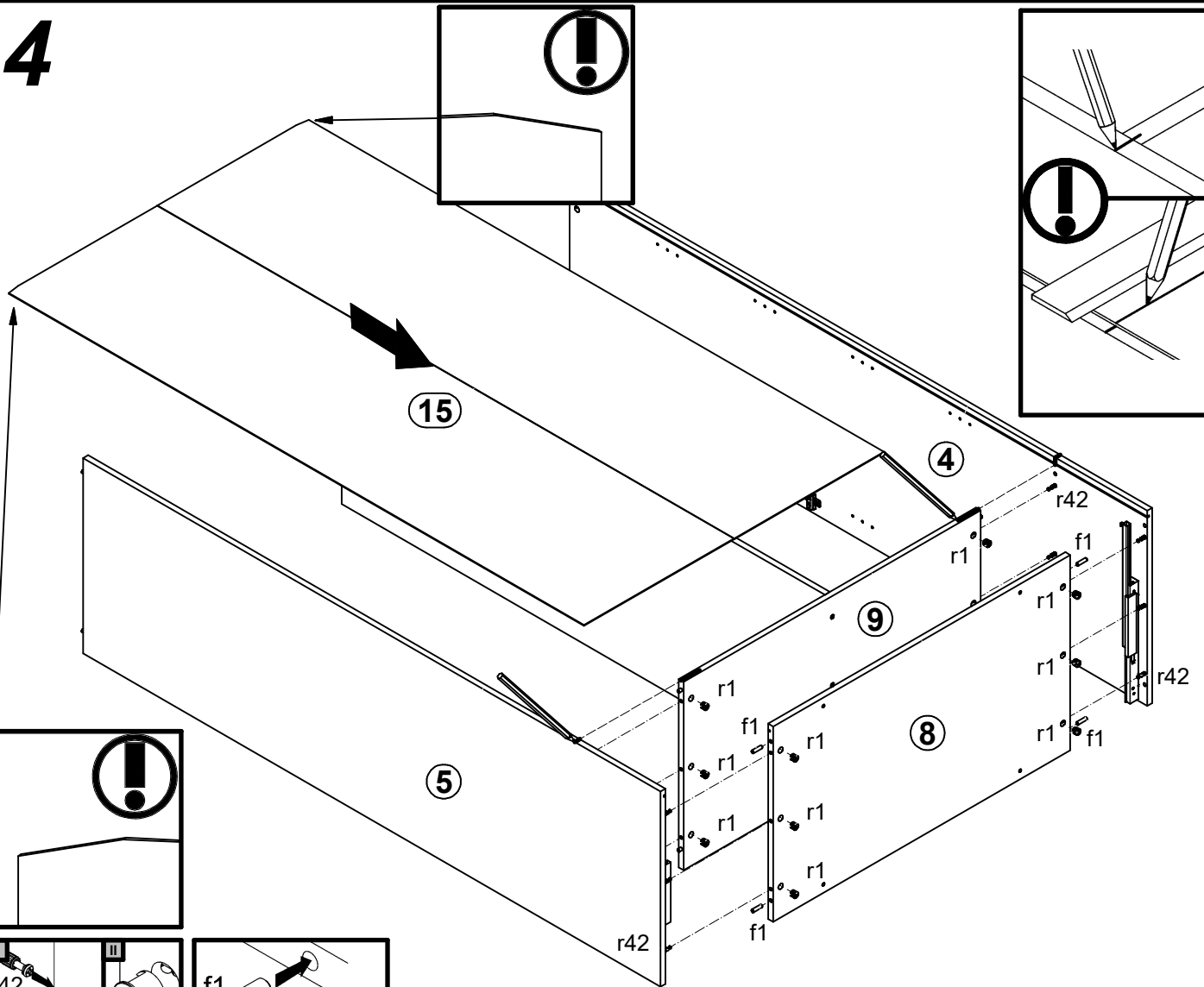
2 §6

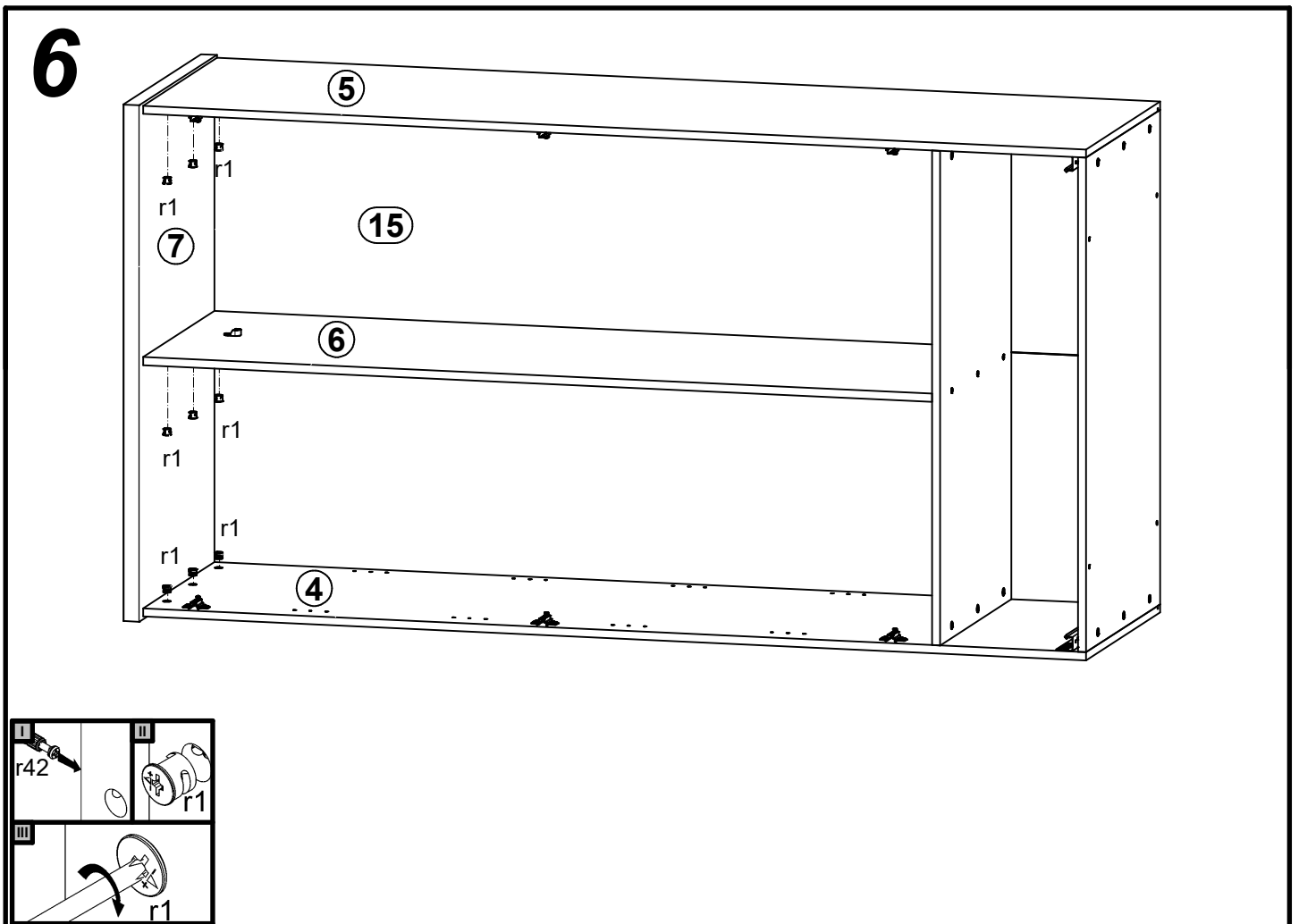
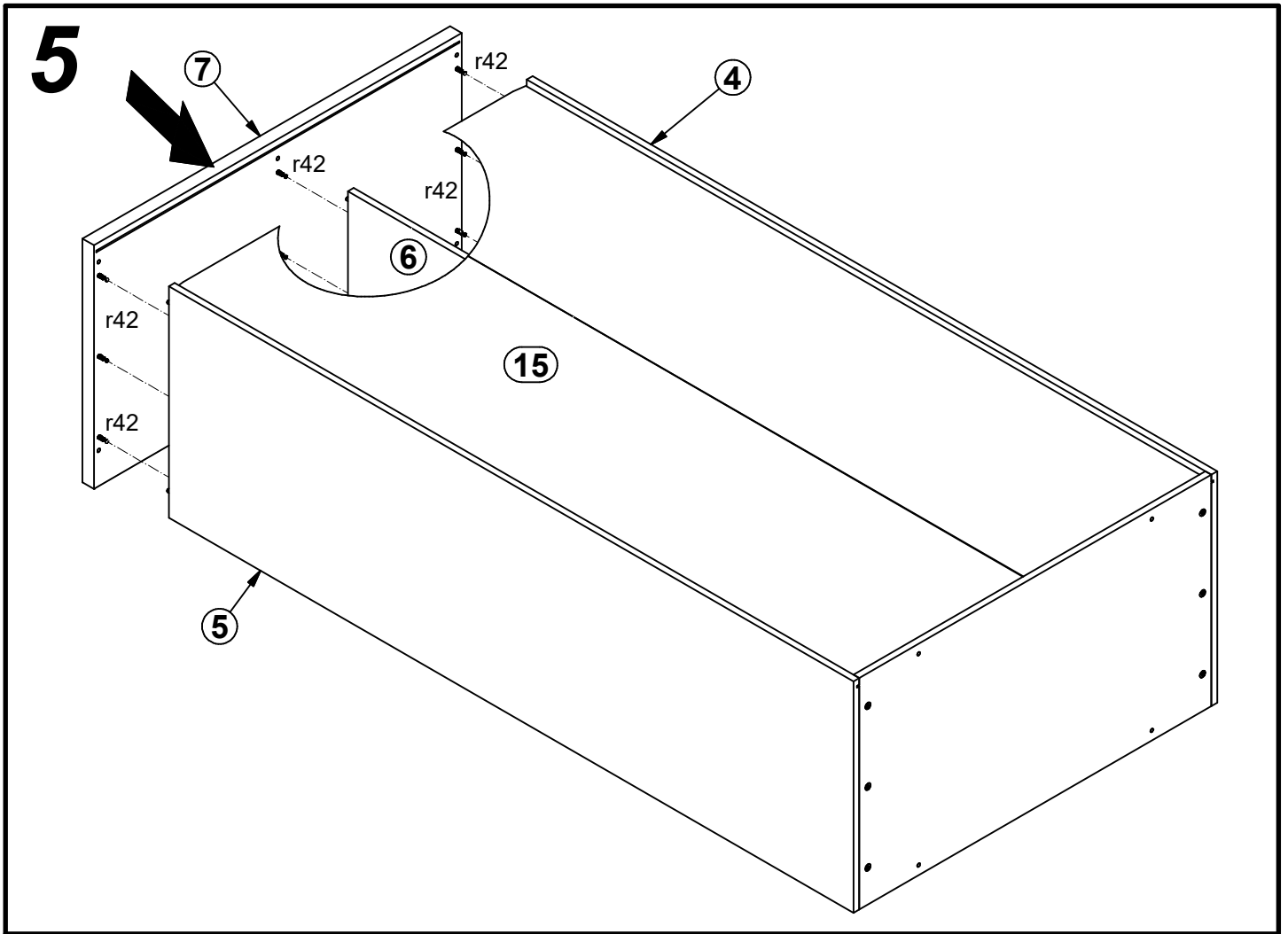


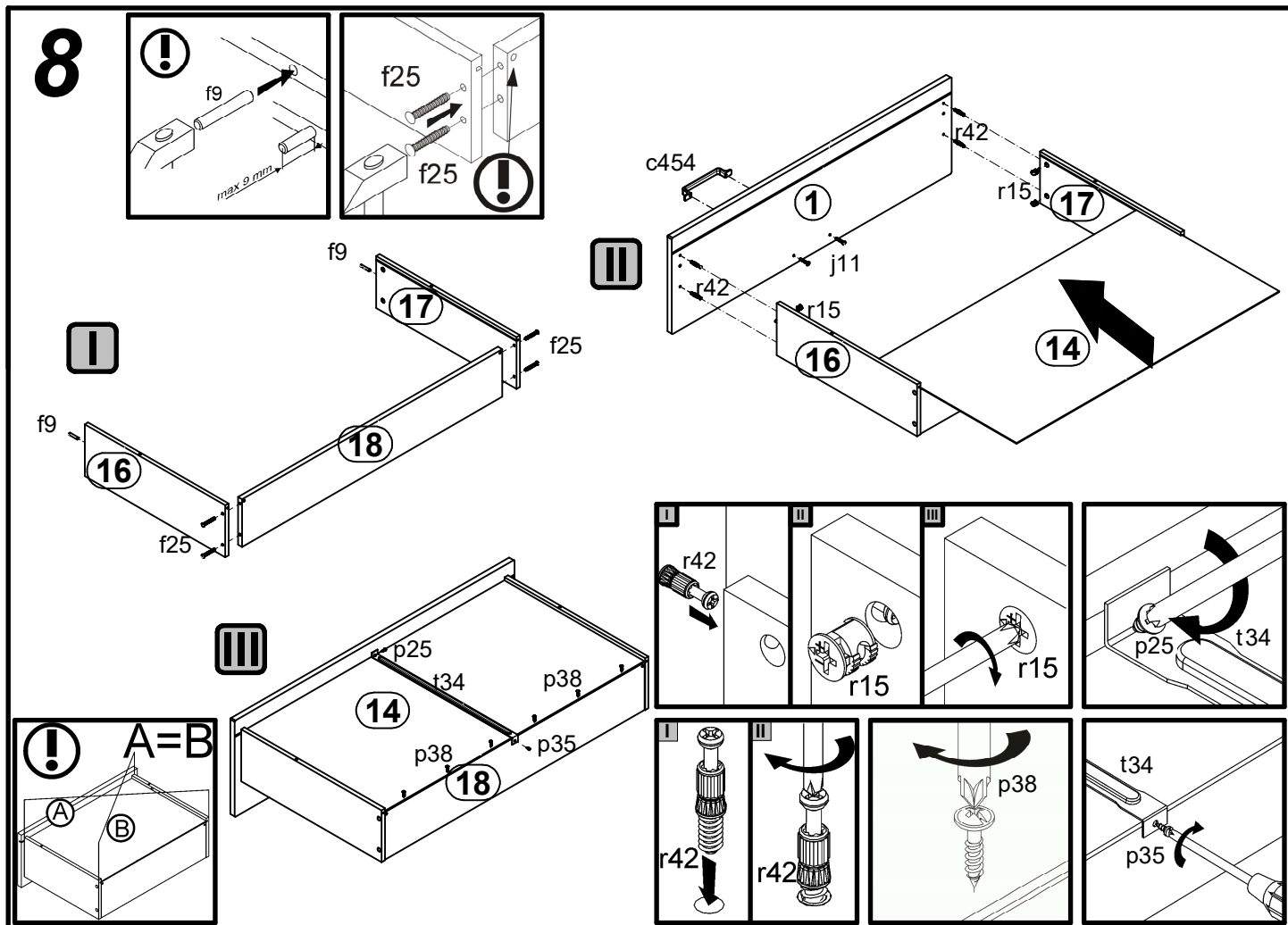
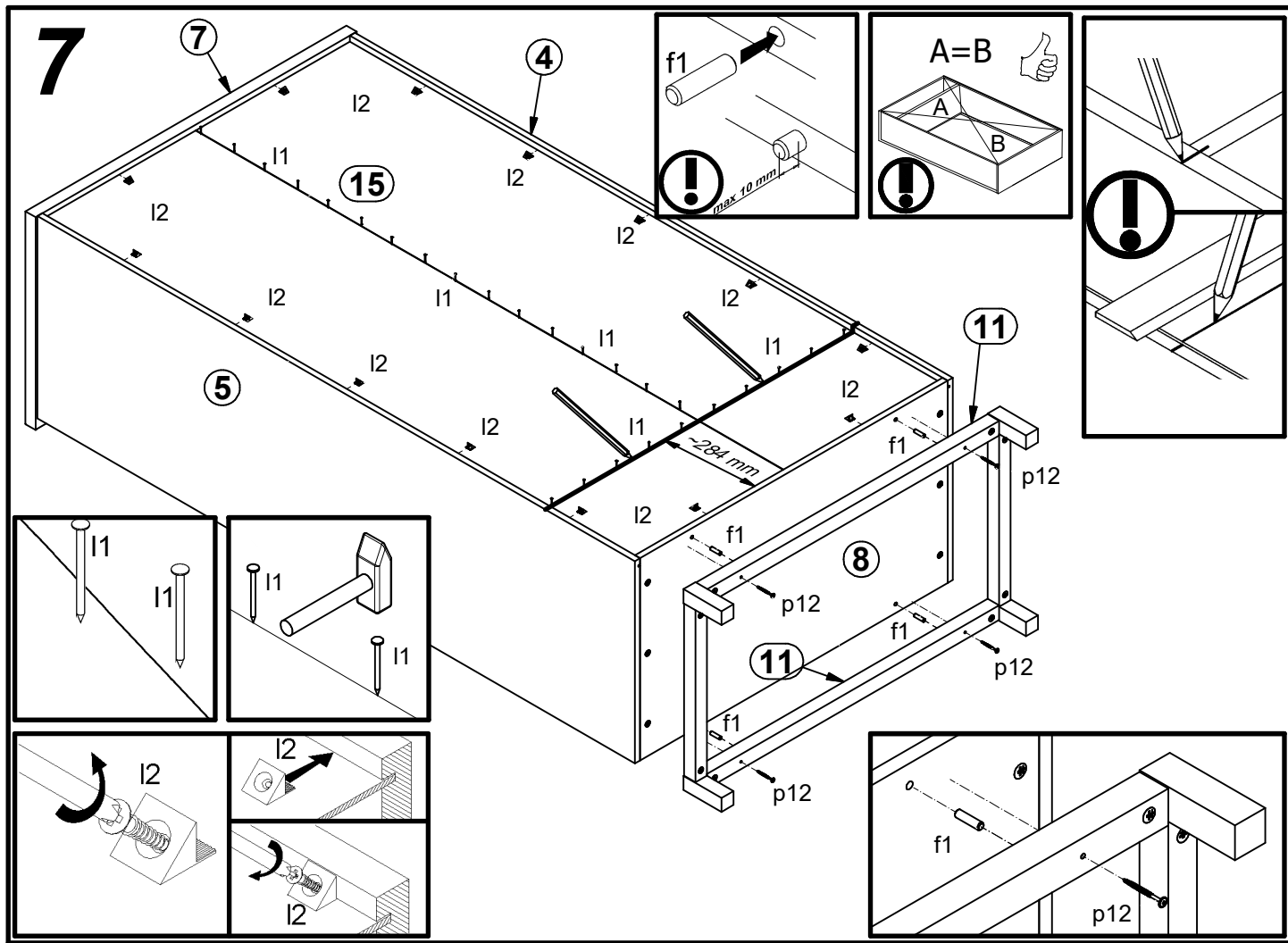
3



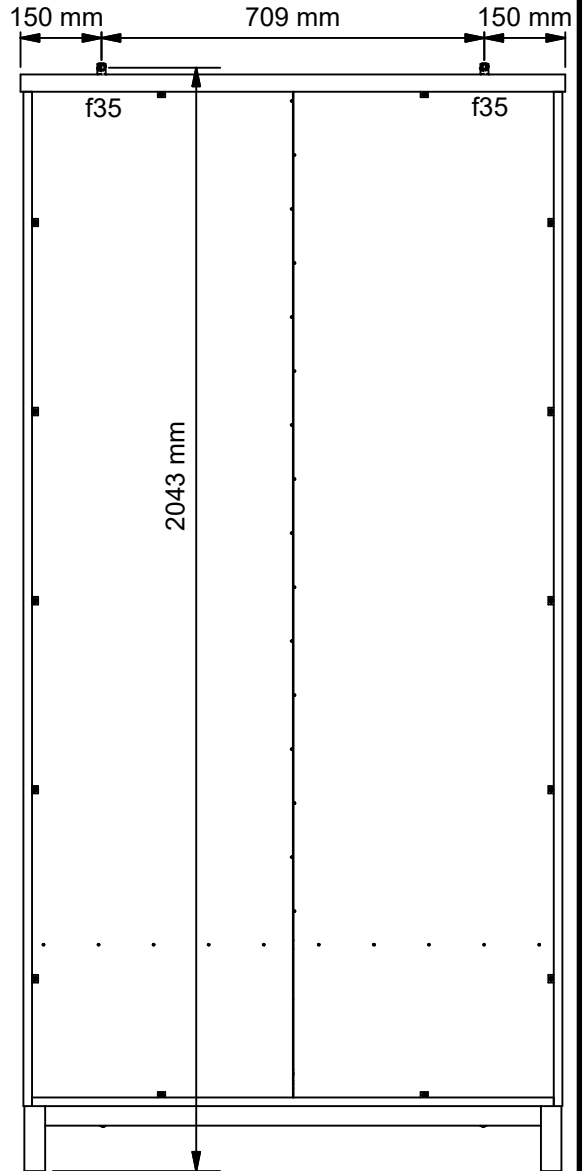
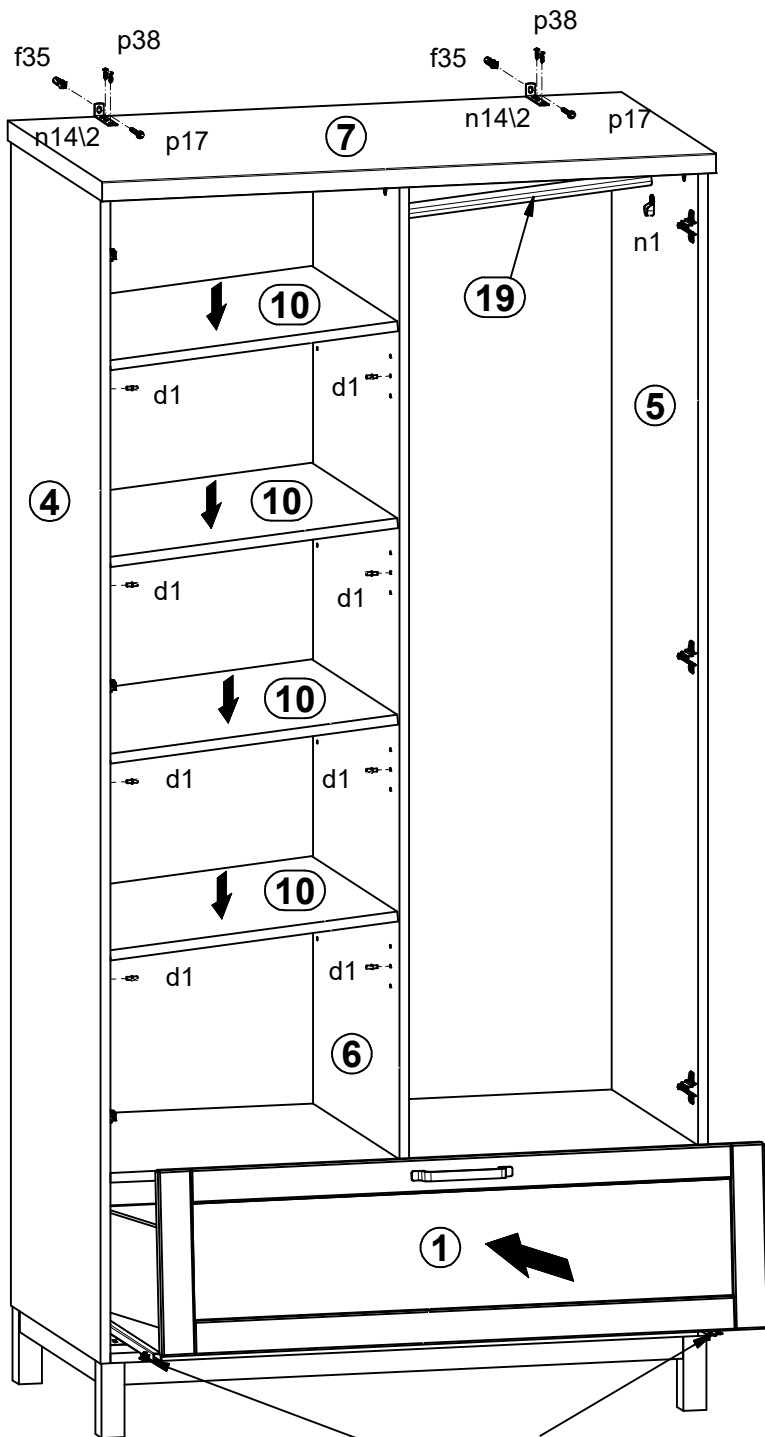
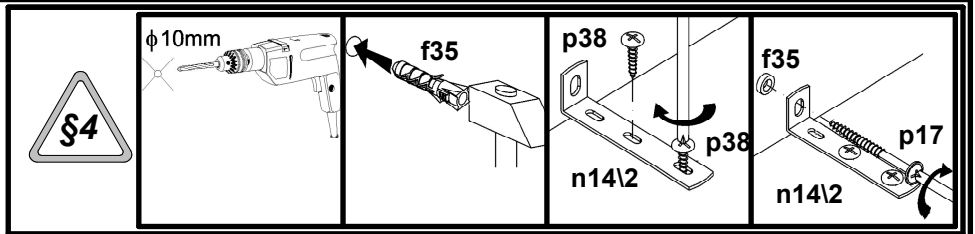
4



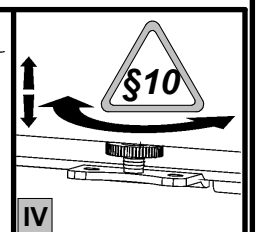
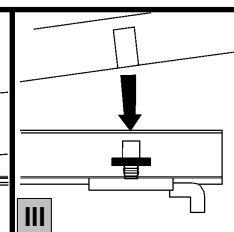
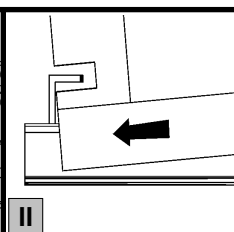
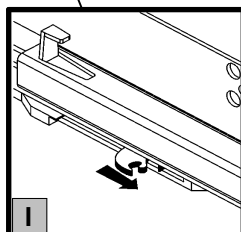
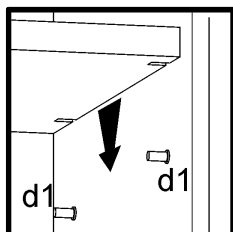
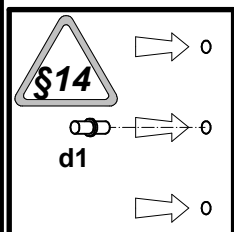
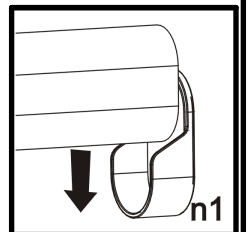




9



w128/L w128/P



10

