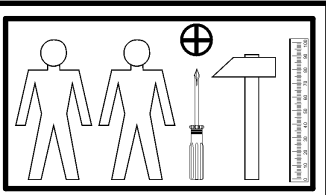
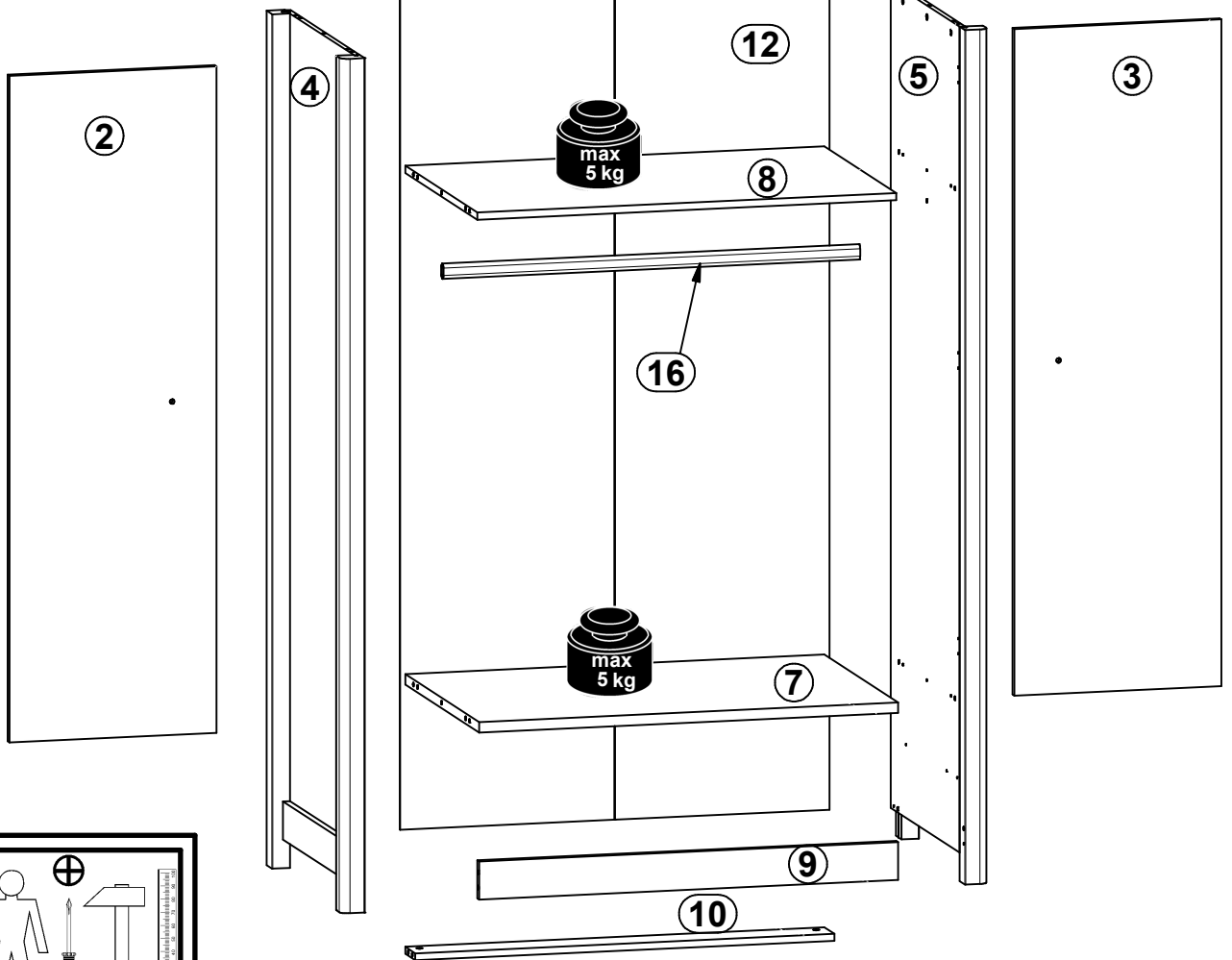
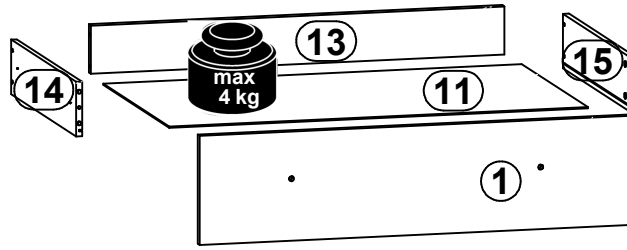
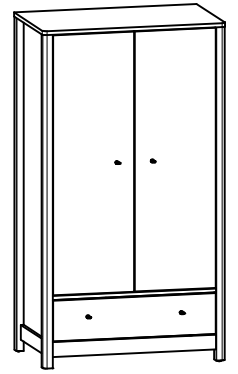


A

TIMON

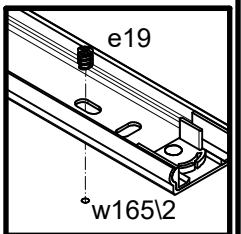
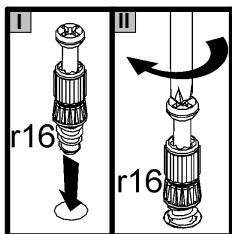
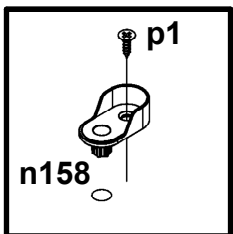
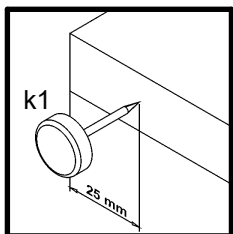
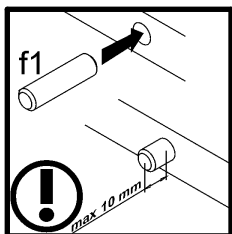
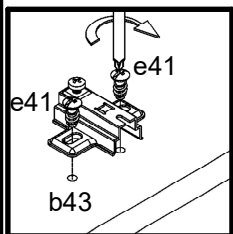
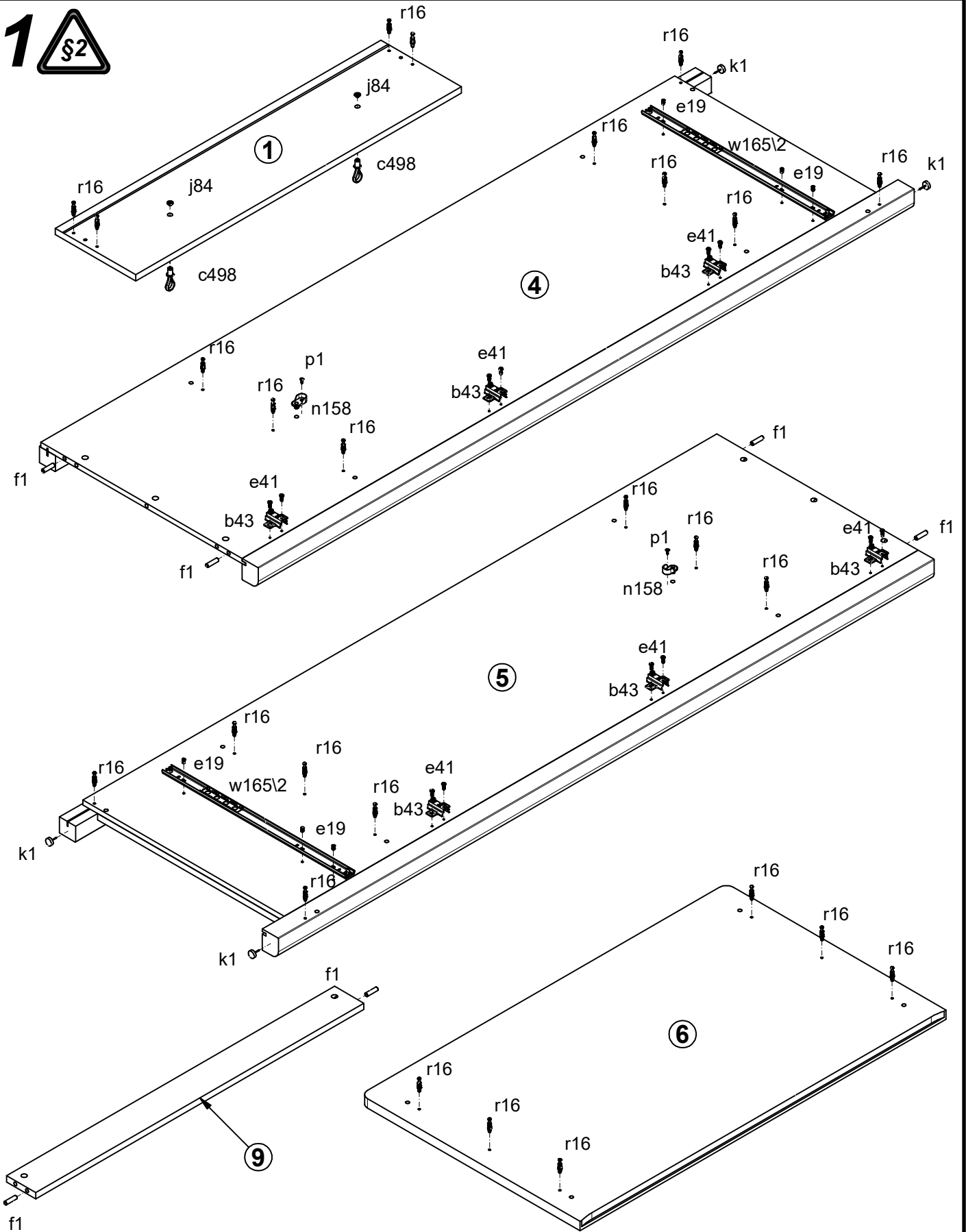
S401-SZF2D1S

A	B	C	D
1	S401-0003	890	220 3/3
2	S401-0006	1398	443 3/3
3	S401-0007	1398	443 3/3
4	S401-1007	1792	598 2/3
5	S401-1008	1792	598 2/3
6	S401-2004	1000	600 1/3
7	S401-3006	896	591 1/3
8	S401-3007	896	576 1/3
9	S401-4003	896	80 1/3
10	S401-4005	896	80 1/3
11	S401-9004	860	507 1/3
12	S401-9304	1744	918 2/3
13	ZK3-5004	850	97 1/3
14	ZK3-523	500	110 1/3
15	ZK3-524	500	110 1/3
16	dr-891x30	891	30 1/3

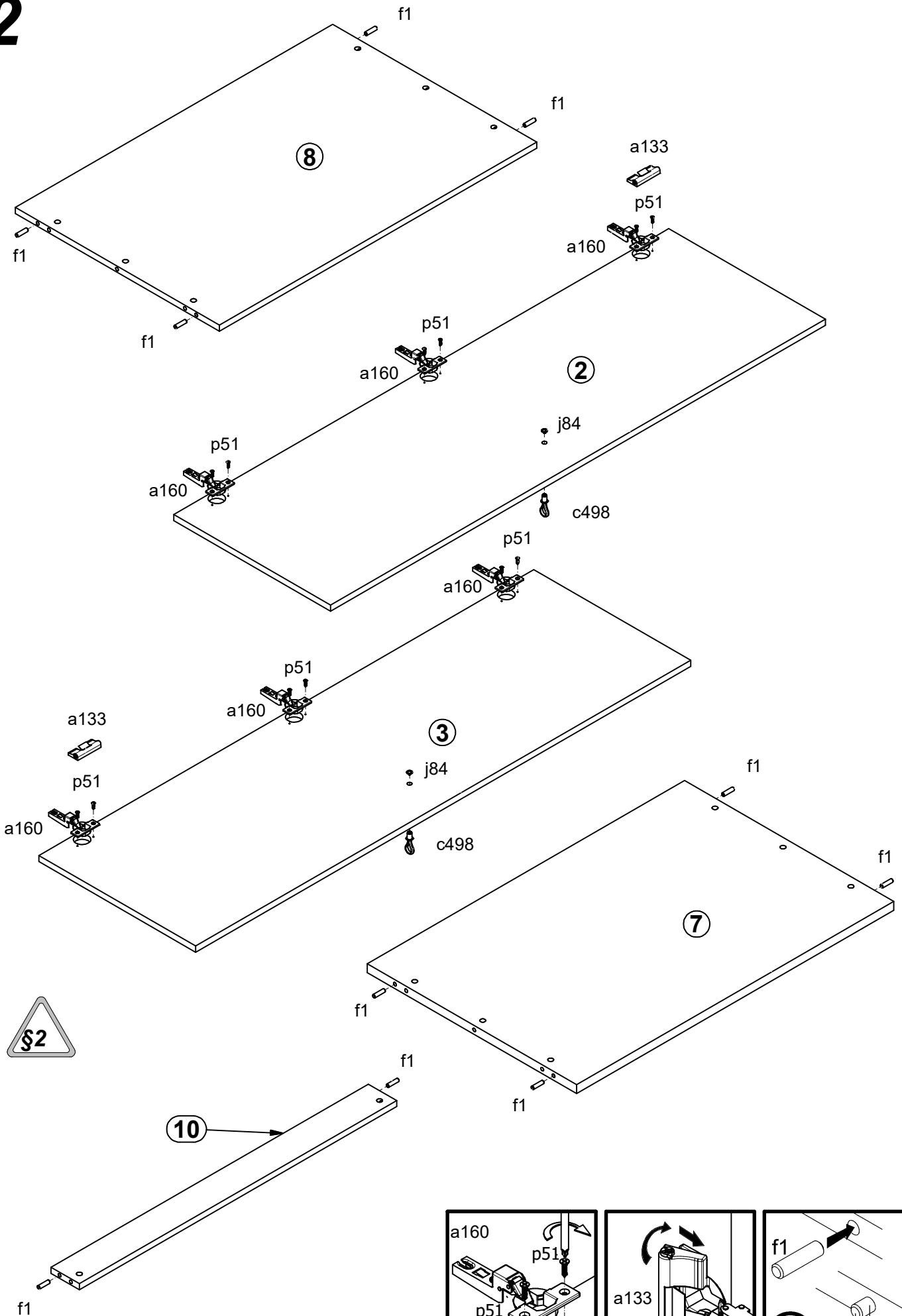


2x a133	6x a160	6x b43	4x c498	6x e19	12x e41	16x f1	4x f25	2x f9
4x j84	4x k1	75x l1	2x n158	2x p1	6x p140	1x p25	1x p35	7x p38
12x p51	26x r15	26x r16	1x t34	2x w165\1	2x w165\2	1x n26	6x s34	

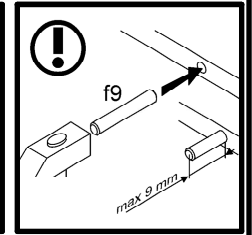
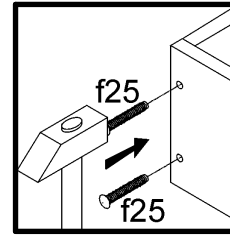
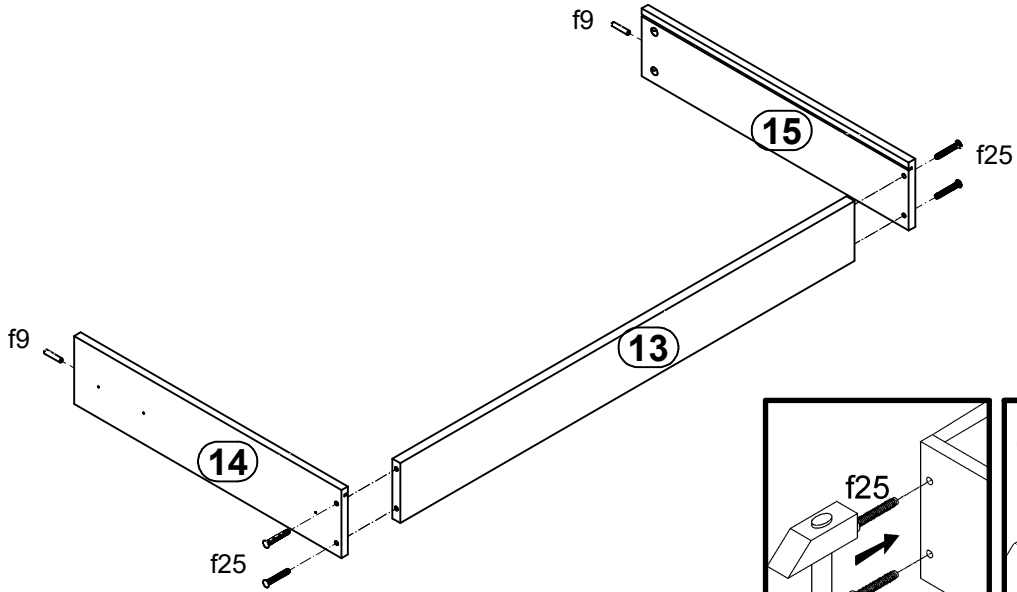
1 



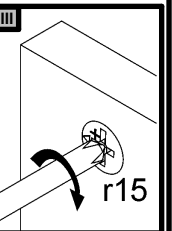
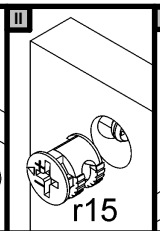
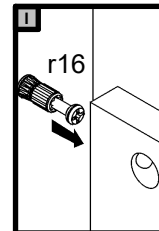
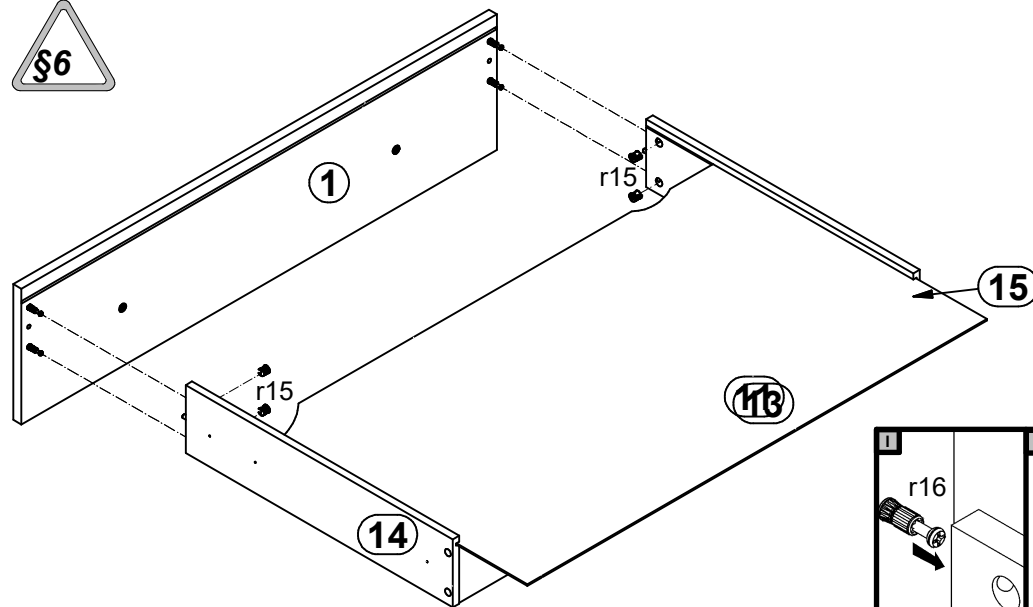
2



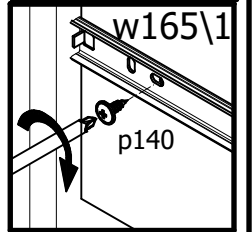
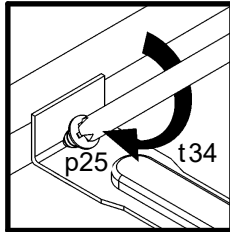
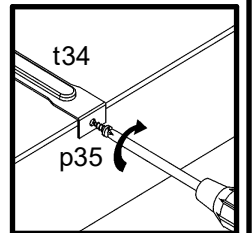
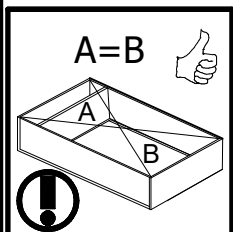
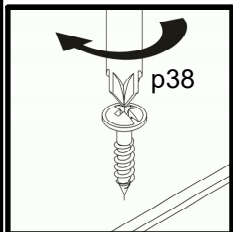
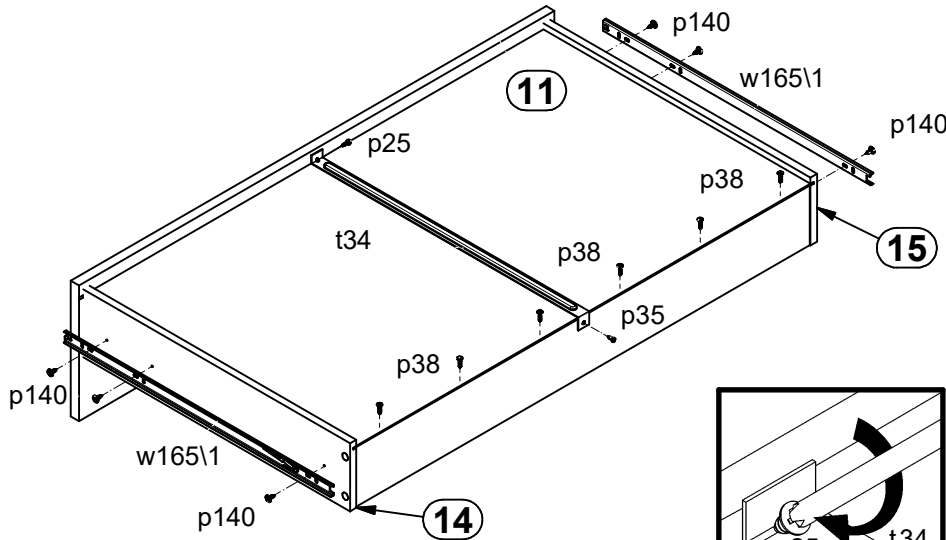
3



4



5



9 

