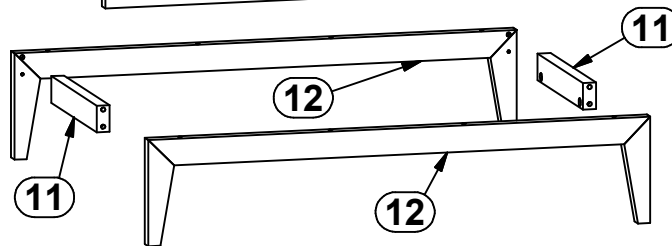
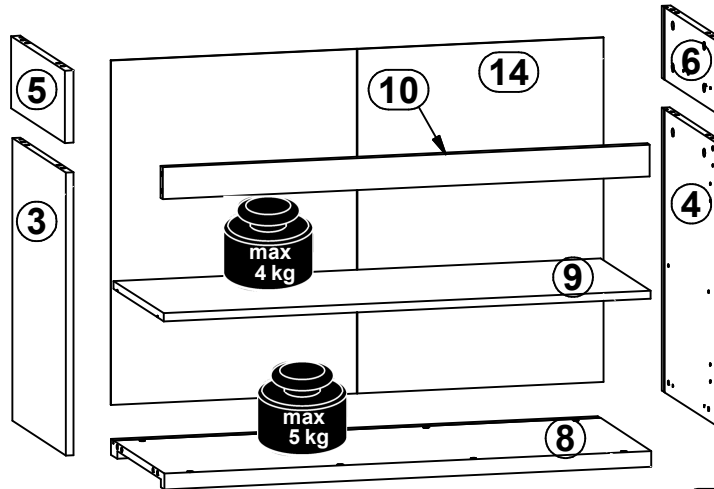
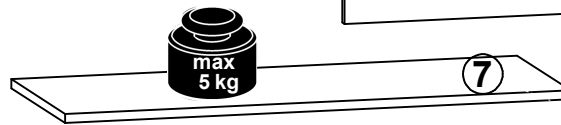
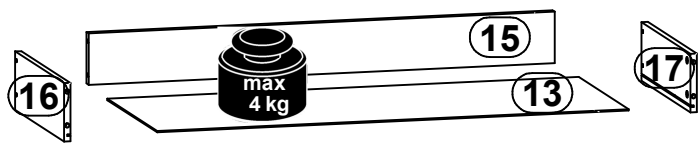
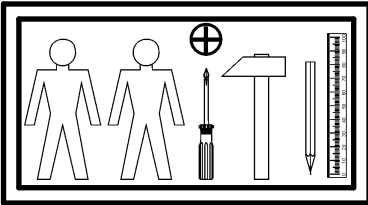
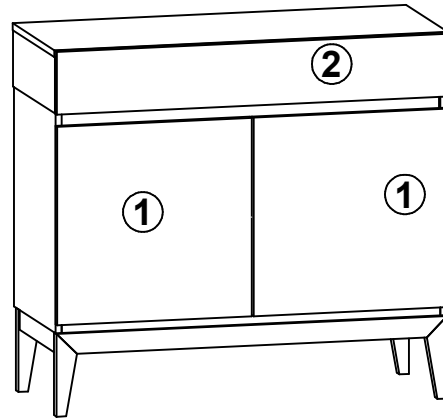
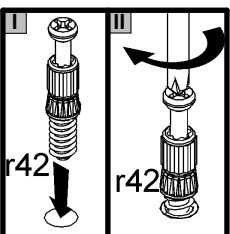
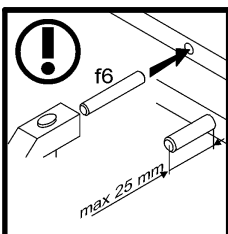
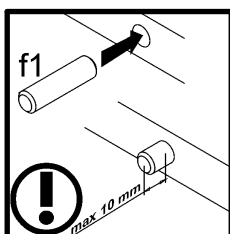
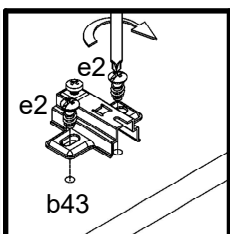
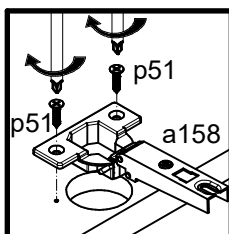
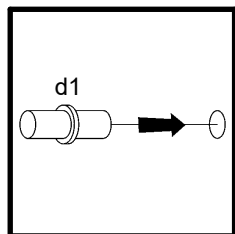
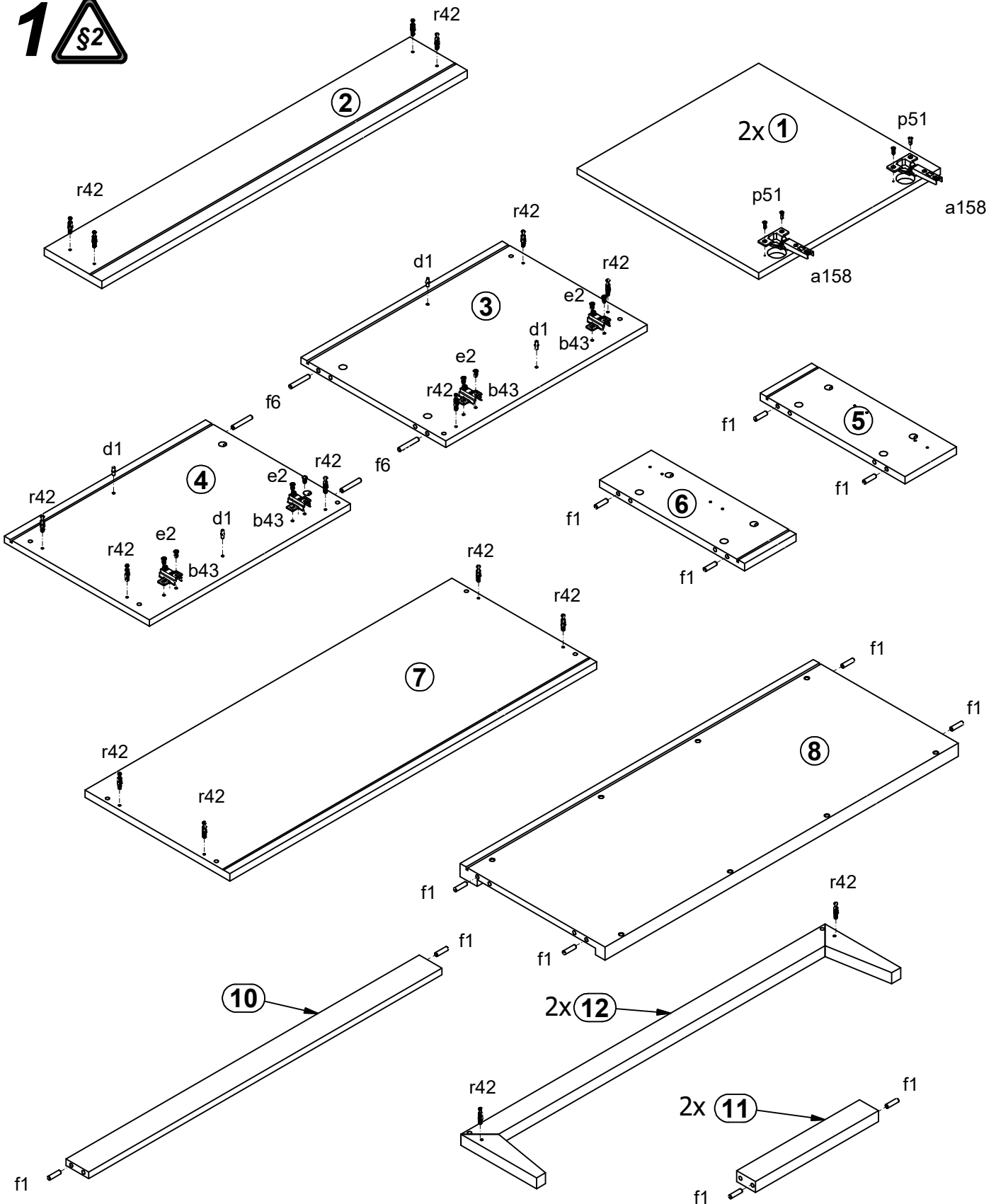


A	B	C	D	
1	S425-0004	480	480	2/2
2	S425-0005	967	152	2/2
3	S425-1001	532	383	1/2
4	S425-1002	532	383	1/2
5	S425-1005	383	136	2/2
6	S425-1006	383	136	2/2
7	S425-2002	970	383	2/2
8	S425-3003	934	383	1/2
9	S425-3004	934	358	1/2
10	S425-4002	934	60	1/2
11	S425-5002	325	50	2/2
12	S425-5003	963	200	2/2
13	S425-9002	904	357	1/2
14	S425-9302	648	945	2/2
15	ZQ6-5011	894	97	1/2
16	ZQ6-519	350	110	1/2
17	ZQ6-520	350	110	1/2

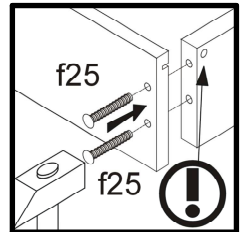
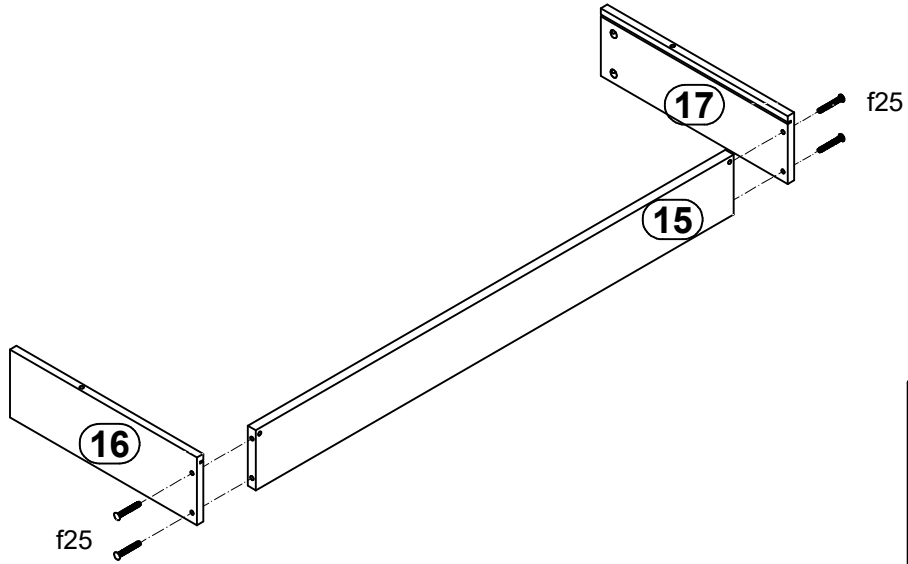


2x a133	4x a158	4x b43	4x d1	8x e2	8x e3	8x e8	14x f1	4x f25
4x f6	8x l2	1x p25	1x p35	7x p38	8x p51	2x p55	22x r1	4x r10
4x r15	18x r42	1x t35	1x 350 mm W117L	1x 350 mm W117P	8x s59	4x s68	1x 4 mm z1	1x

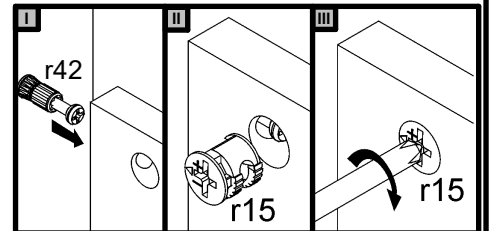
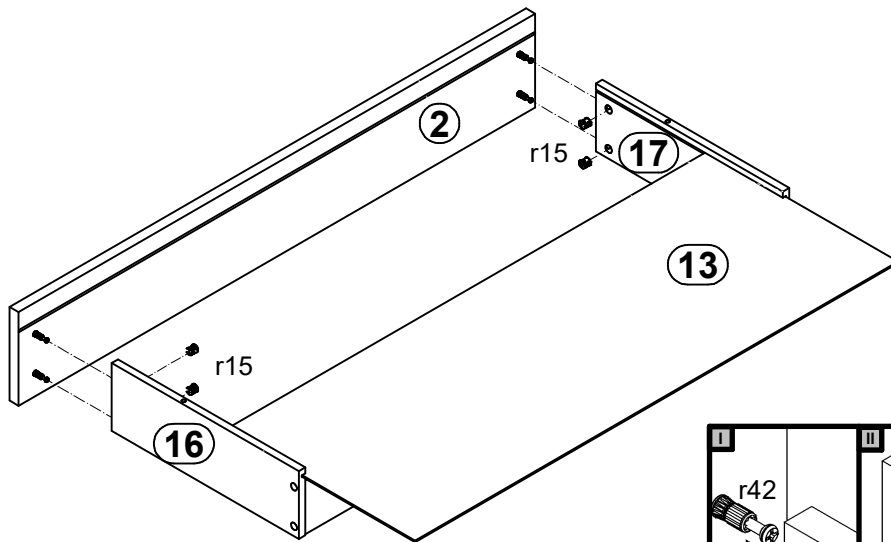
1



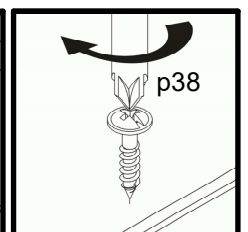
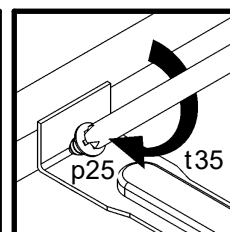
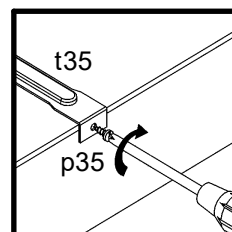
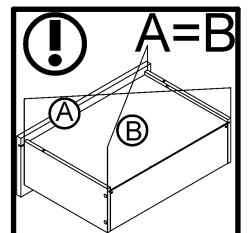
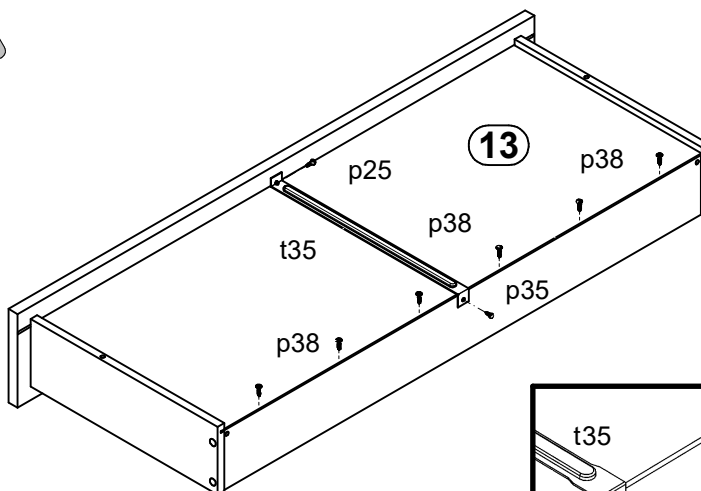
2 



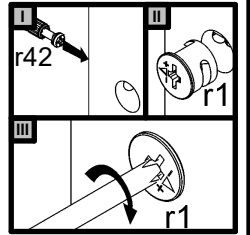
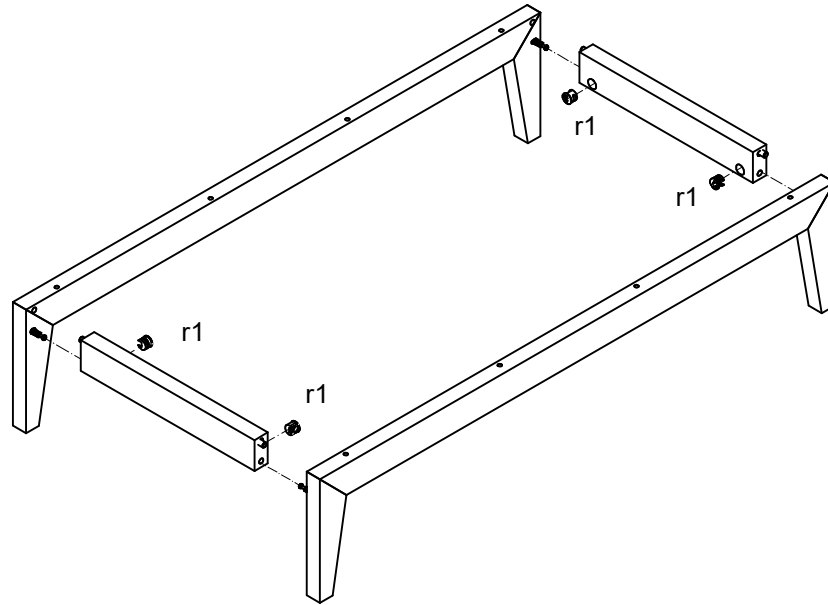
3 



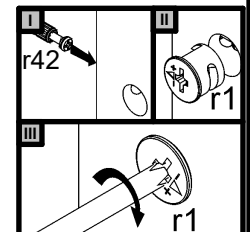
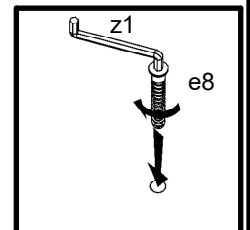
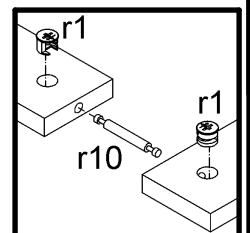
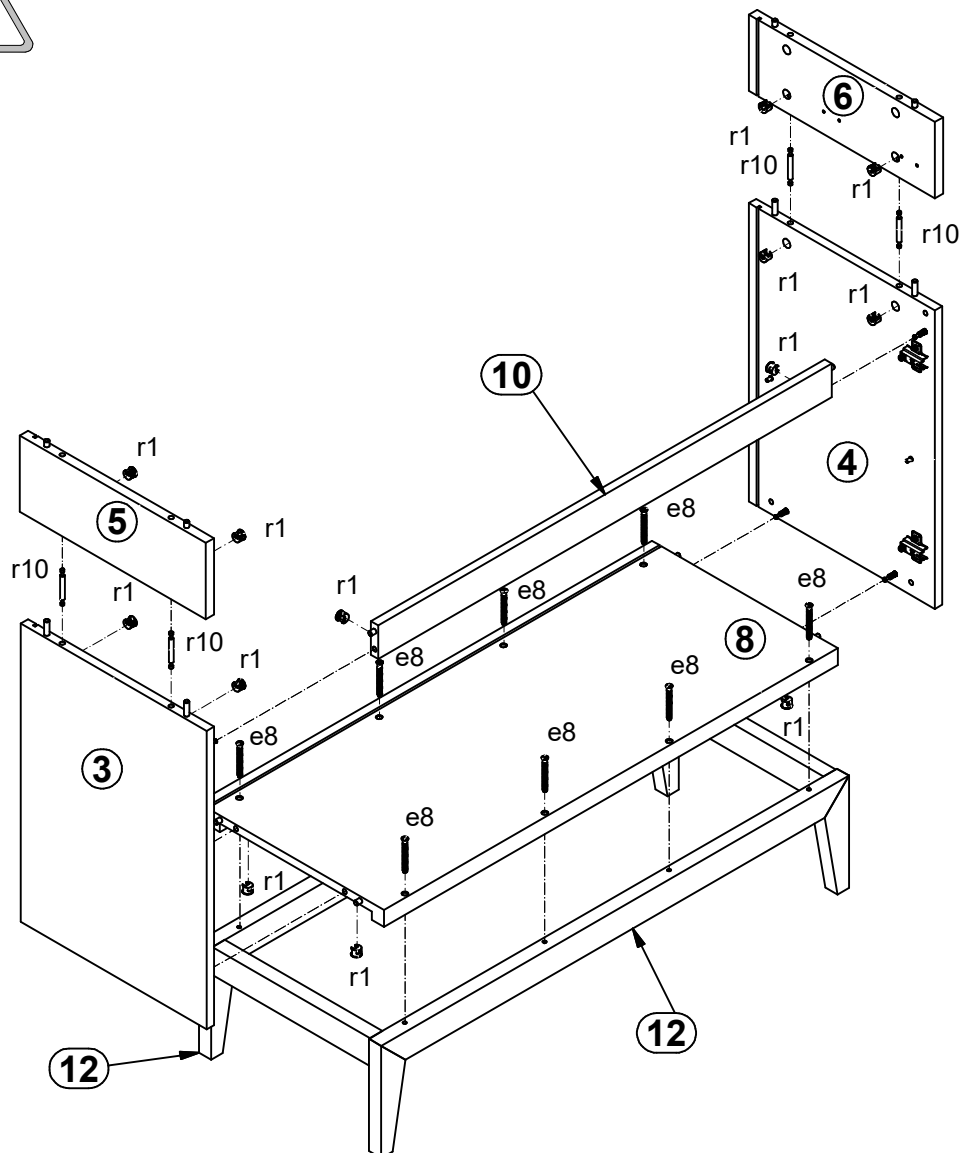
4 



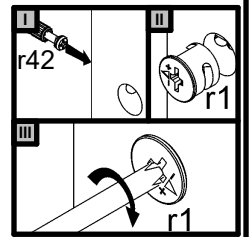
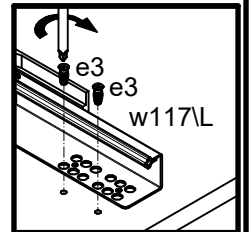
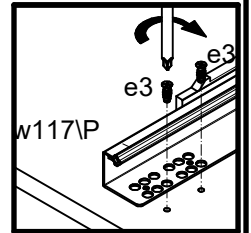
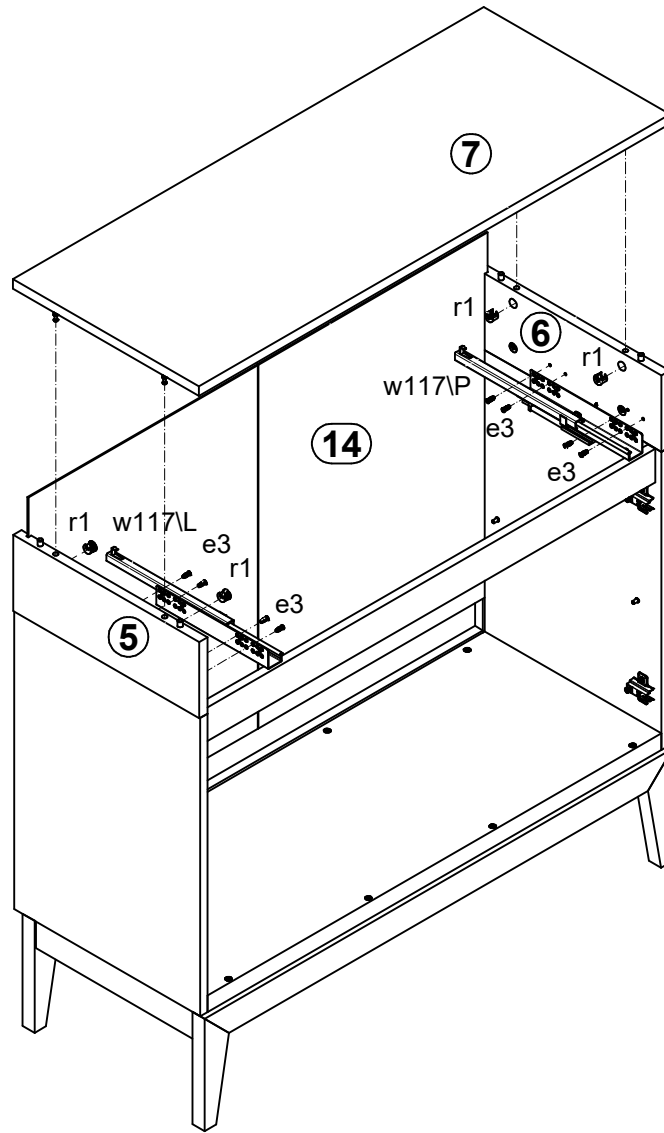
5



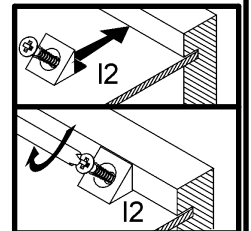
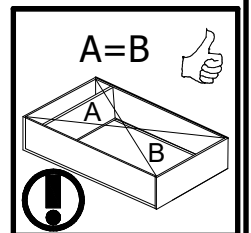
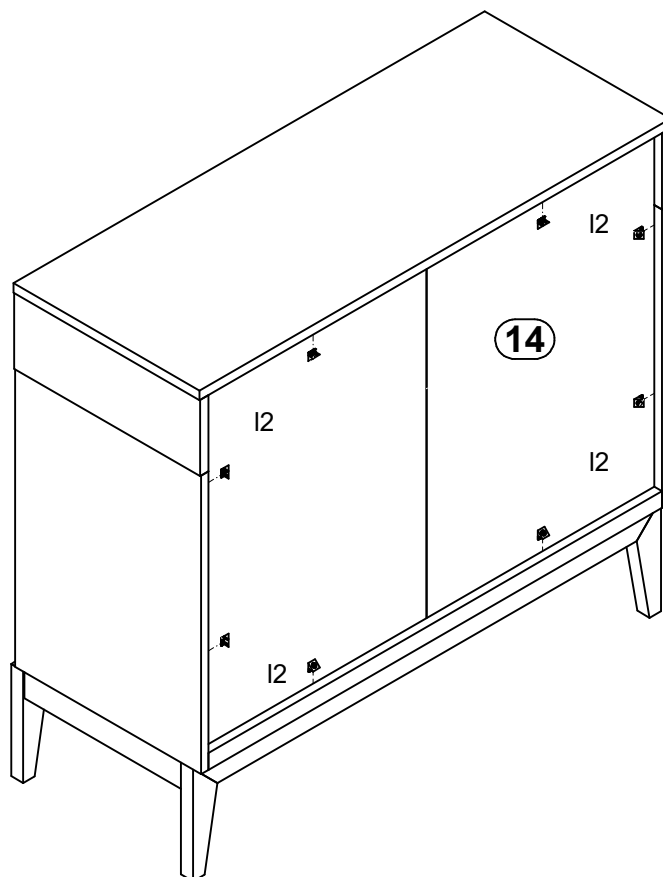
6



7



8



9

