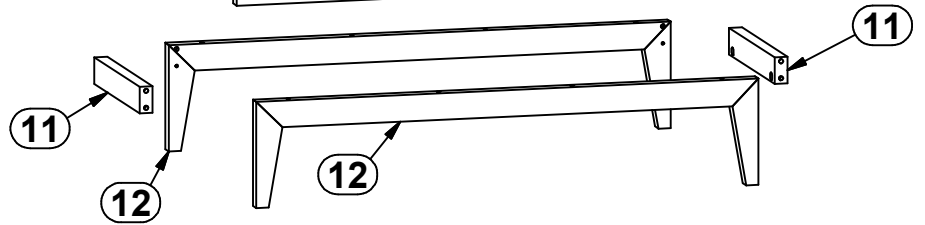
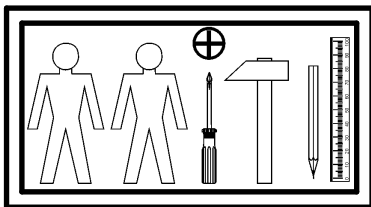
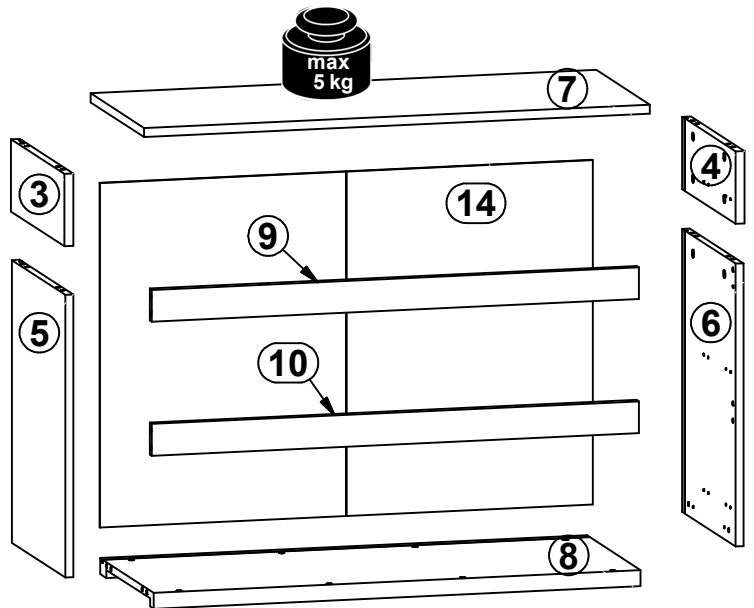
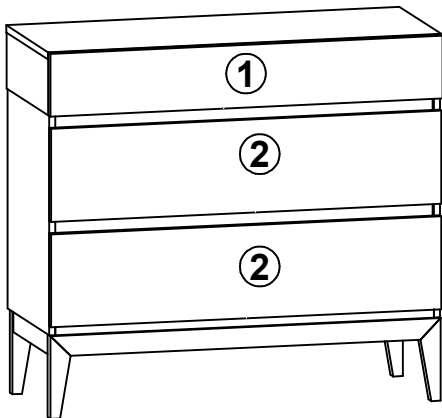
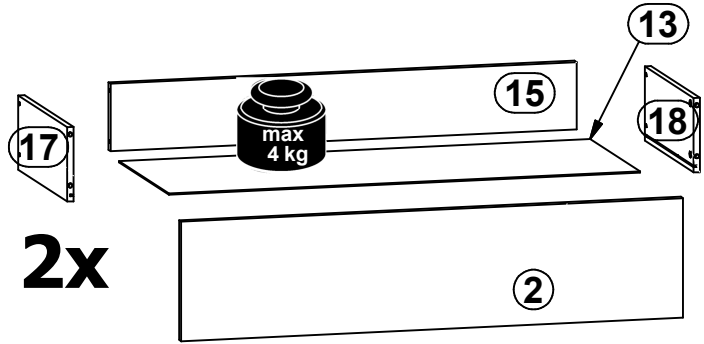
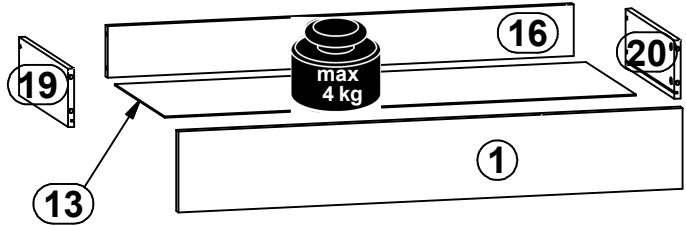
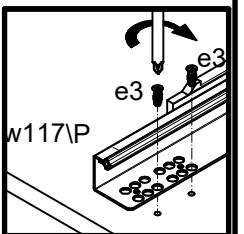
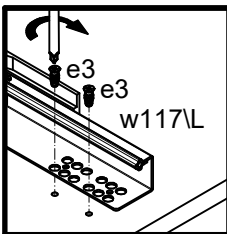
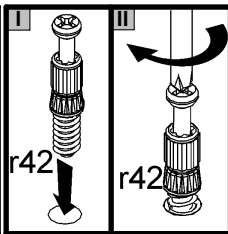
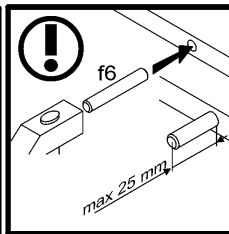
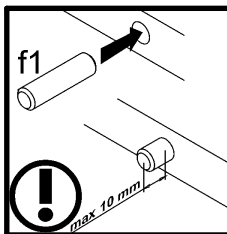
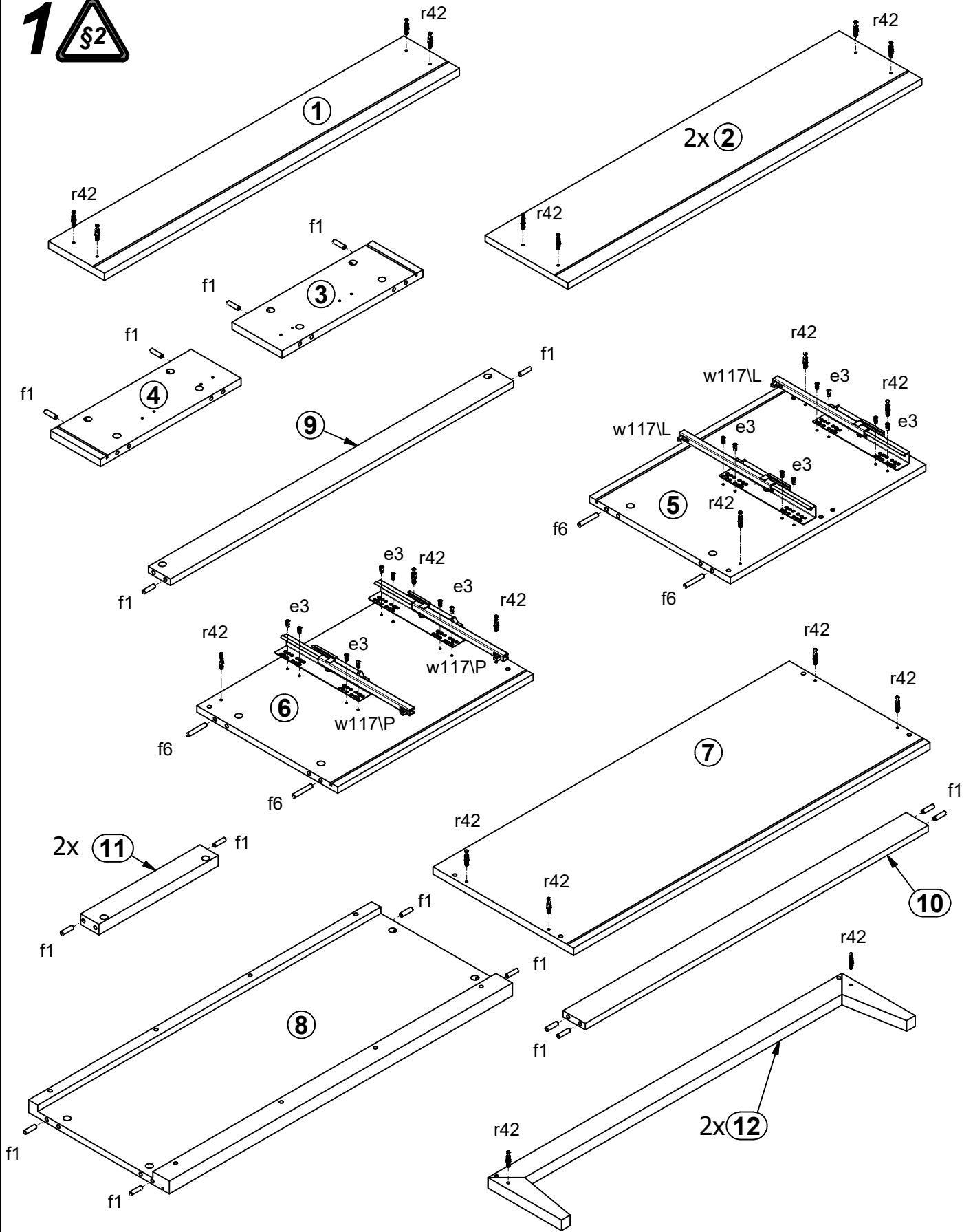


A	B	C	D	
1	S425-0005	967	152	2/2
2	S425-0006	963	225	1/2
3	S425-1005	383	136	2/2
4	S425-1006	383	136	2/2
5	S425-1009	532	383	1/2
6	S425-1010	532	383	1/2
7	S425-2002	970	383	2/2
8	S425-3003	934	383	2/2
9	S425-4002	934	60	1/2
10	S425-4009	934	60	1/2
11	S425-5002	325	50	2/2
12	S425-5003	963	200	2/2
13	S425-9002	904	357	1/2
14	S425-9302	648	945	1/2
15	ZQ6-5010	894	127	1/2
16	ZQ6-5011	894	97	1/2
17	ZQ6-511	350	140	1/2
18	ZQ6-512	350	140	1/2
19	ZQ6-519	350	110	1/2
20	ZQ6-520	350	110	1/2

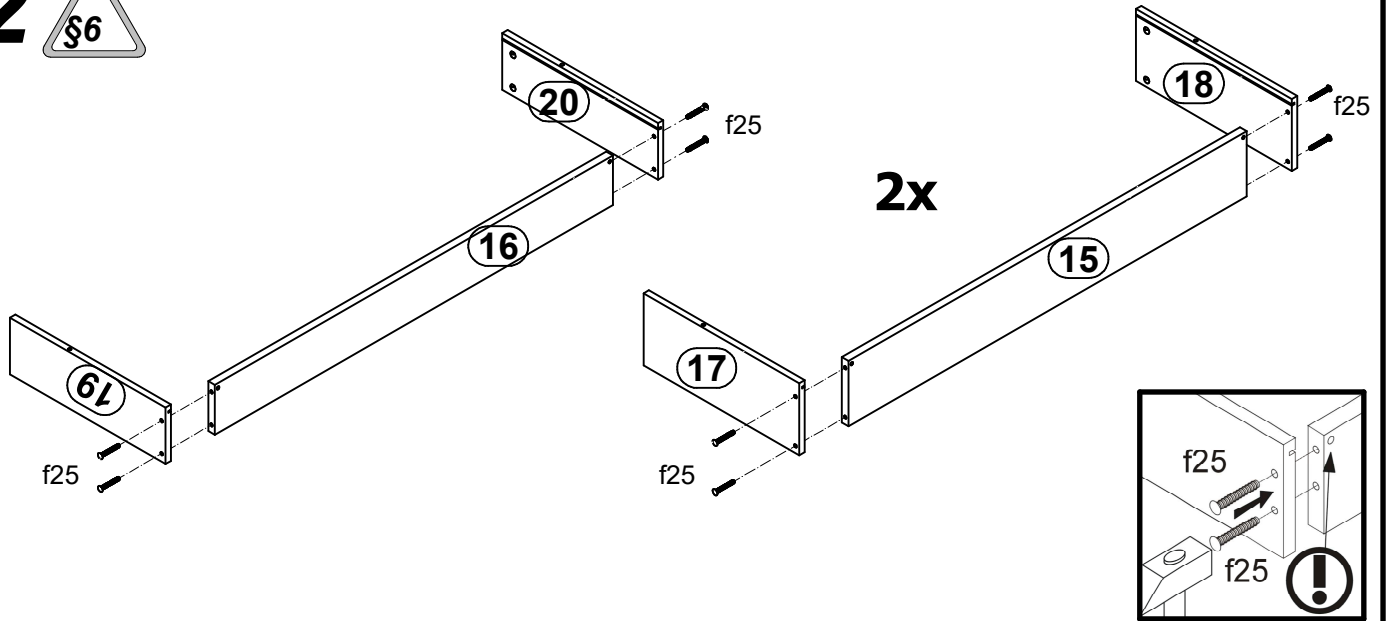


24x Ø6x13 mm e3	8x Ø7x60 mm e8	18x Ø8x30 mm f1	12x Ø6.5x40 mm f25	4x Ø8x50 mm f6	8x l2	3x Ø3.5x16 mm p25	3x Ø3.5x10 mm p35	19x Ø3.5x16 mm p38
6x Ø2.9x16 mm p55	22x Ø15x12 mm #16 r1	4x r10	12x Ø12x10.5 mm #12 r15	26x 20/11 r42	3x 350 mm t35	3x 350 mm W117/L	3x 350 mm W117/P	1x 4 mm z1
1x n26								

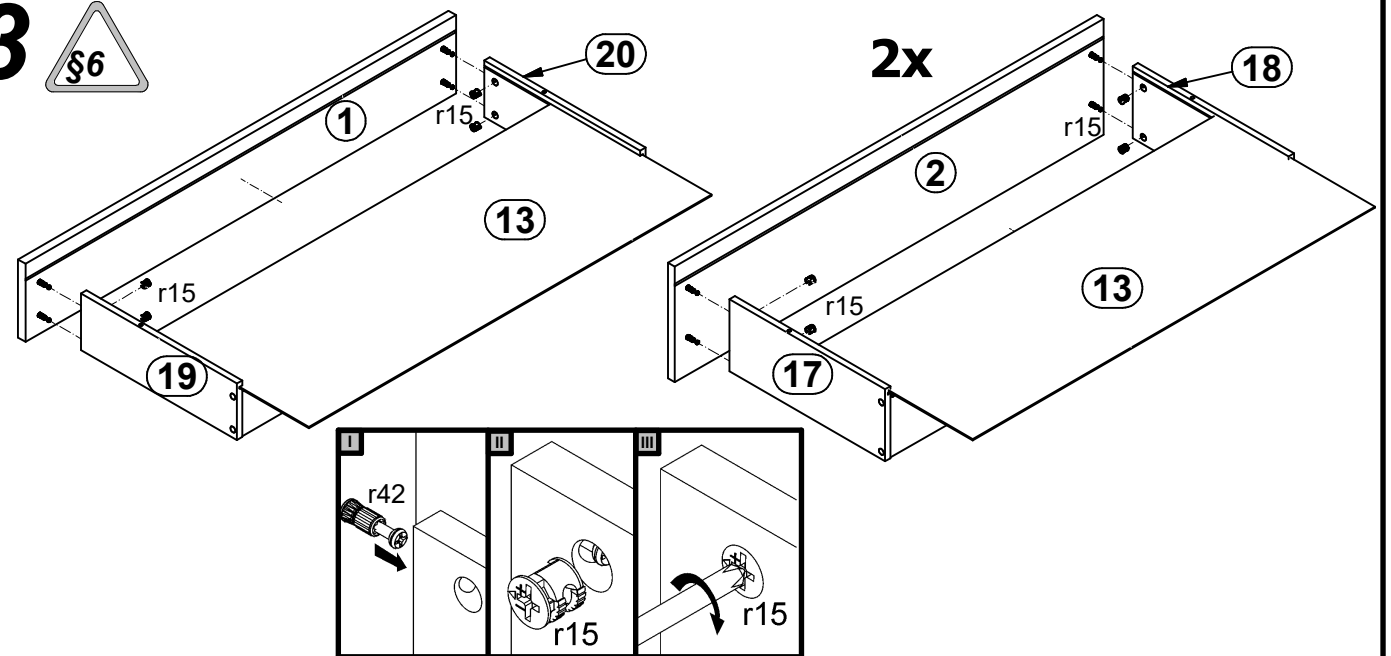
1 



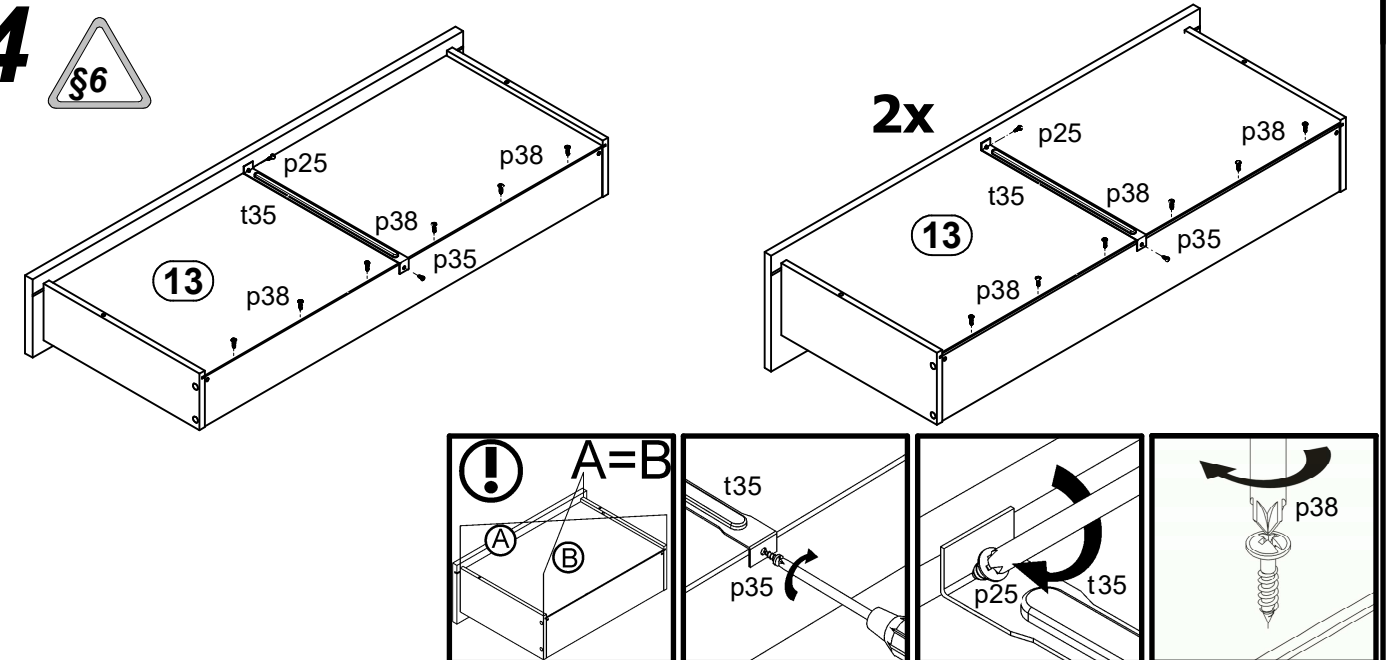
# 2



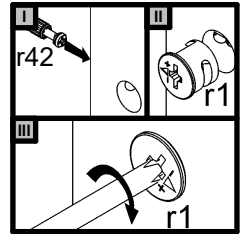
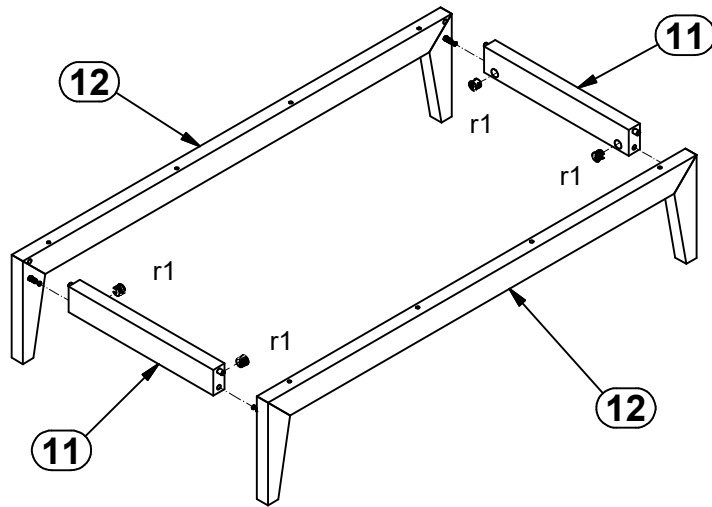
# 3



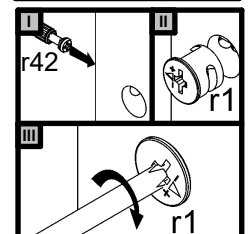
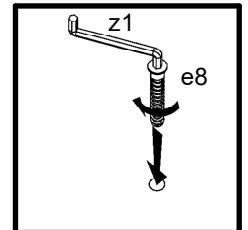
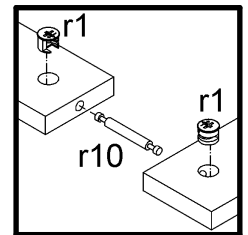
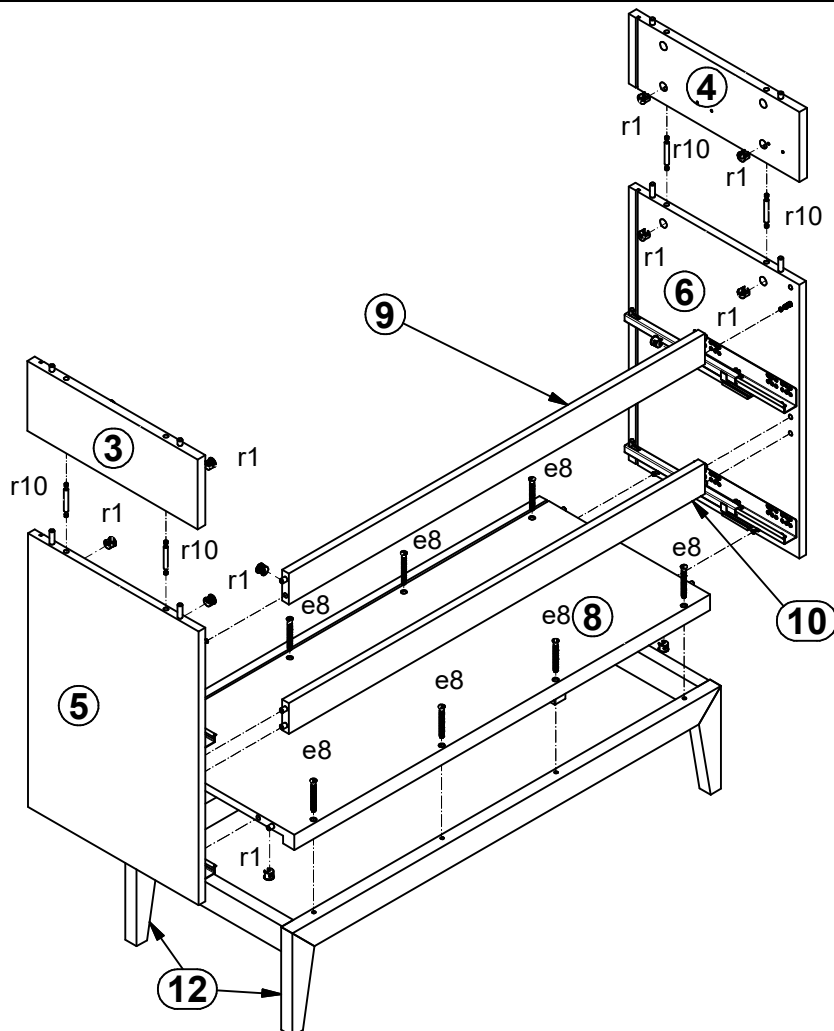
# 4



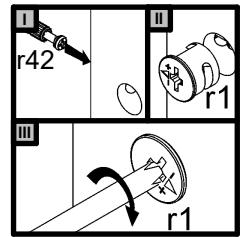
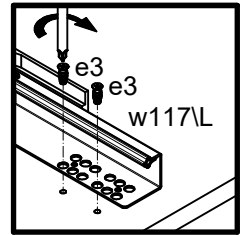
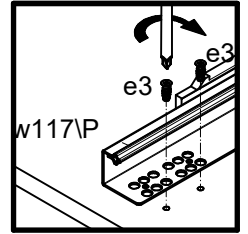
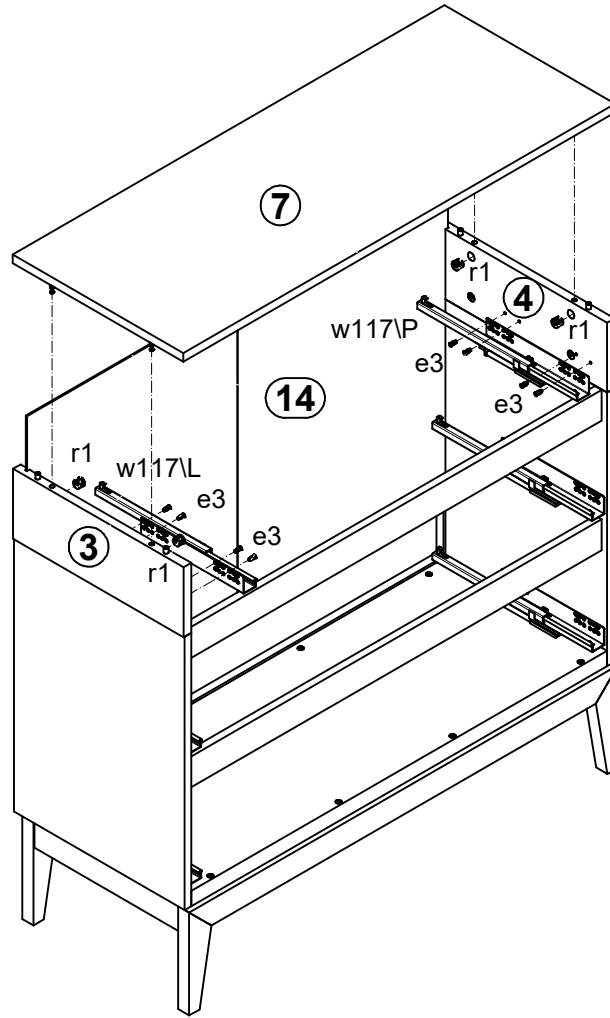
# 5



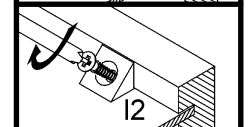
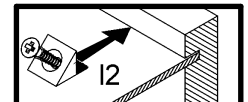
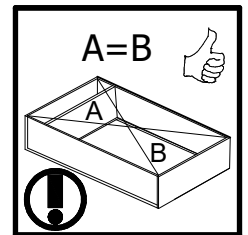
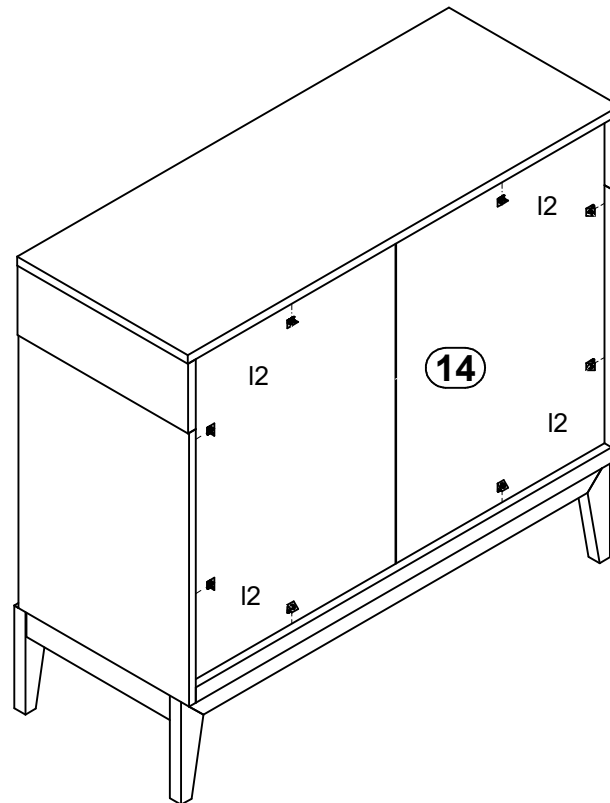
# 6



# 7



# 8



# 9

